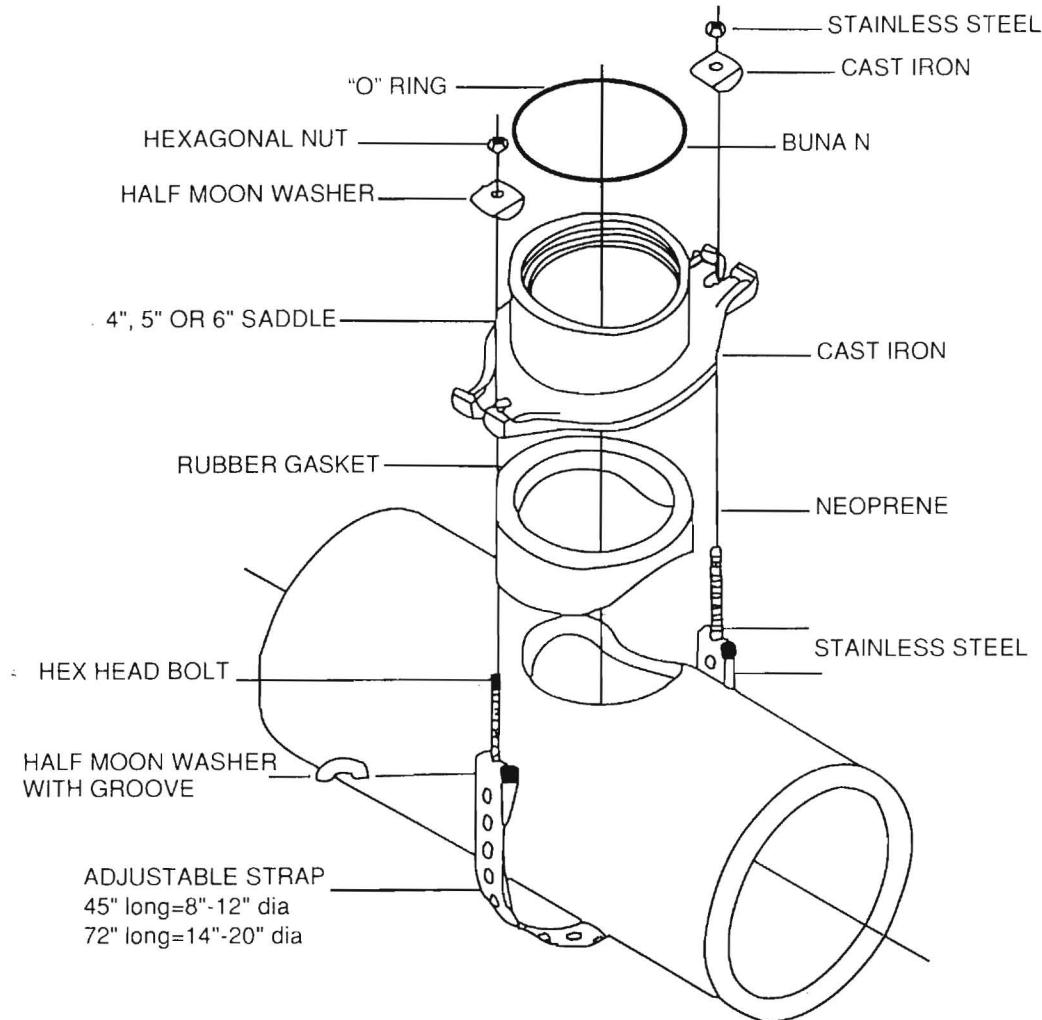


CONCORD D-50 SEWER SADDLES

When connecting 4", 5" or 6" AC or PVC building sewer pipes to AC, concrete or PVC mains 8" to 20".

- Larger sizes available upon request.
- Each Saddle fits a wide range of pipe O.D.'s. A small inventory can therefore service **all** your installation needs.



1. The length of the stainless steel strap, assembled without welding, is determined by the nominal size of the sewer pipe main.
2. For a perfect seal, it is important to choose the proper "O" ring for building sewer pipe. By knowing the O.D. check the table below and choose the "O" ring you need.

	4"		" O " RING	5"		" O " RING	6"		" O " RING
	MIN.	MAX.		MIN.	MAX.		MIN.	MAX.	
OUTSIDE	4.200	4.240	13/32	5.280	5.320	13/32	6.260	6.290	13/32
DIAMETER	4.500	4.590	1/4	5.560	5.650	1/4	6.620	6.650	1/4

3. IMPORTANT

Excess strap should not be cut off. Fold 5" excess strap inward toward and against main to form a secure pocket for the T-head bolt. Failure to fold strap inward may cause the strap to tear in installation. It is unnecessary to apply a torque load above 30 foot-pounds.

CLOW
CLOW CANADA

HEAD OFFICE
1757 Burlington Street East
P.O. Box 2849
Hamilton, ON L8N 3R5
Tel: (905) 548-9604
Fax: (905) 548-6885

WESTERN CANADA
P.O. Box 1000
801 Smelter Ave. S.E.
Medicine Hat, AB T1A 7H1
Tel: (403) 527-3553
Fax: (403) 527-7454

EASTERN CANADA
P.O. Box 700
Saint John, NB E2L 4B3
Tel: (506) 633-2541
Fax: (506) 634-8936