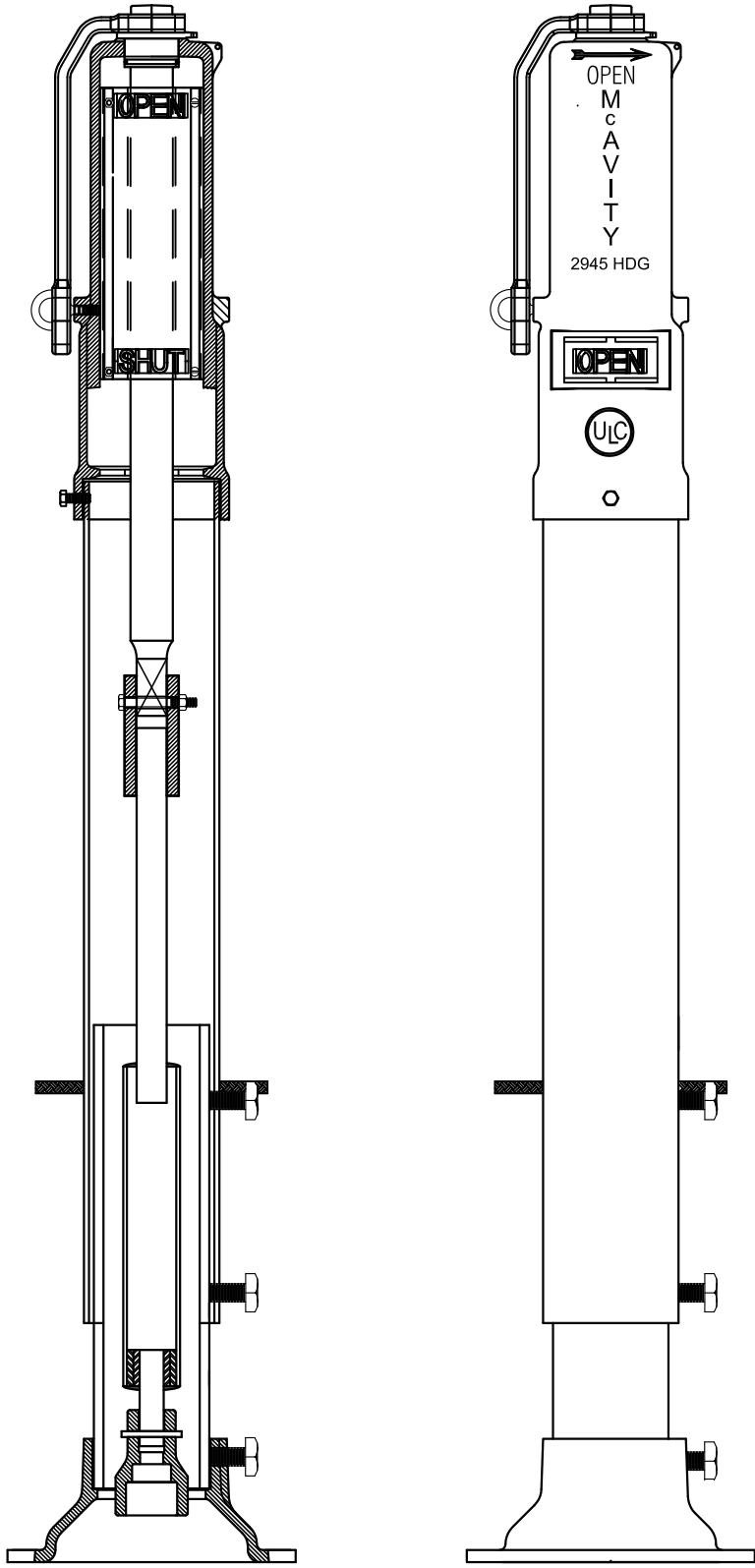


		PATT OR DIE No.	FINISH	UNLESS OTHERWISE SPECIFIED DECIMAL DIM'S IN 2 PLACES + or - .02 DIM'S IN 3 PLACES + or - .01 FRACTION DIM'S UNDER 6" + or - DIM'S OVER 6" + or -
LETTER CHANGE	MATERIAL	WEIGHT		



DRAWN <i>L.G. McKAY</i>	CHECKED	EXAMINED	NOTED	APPROVED
----------------------------	---------	----------	-------	----------

2945HDG INDICATOR POST
350mm - 600mm GATE VALVES
WITH BEVEL GEAR & SPUR GEAR

CLOW CANADA

IP - 003

SCALE NOT TO SCALE DATE MAR. / 2013