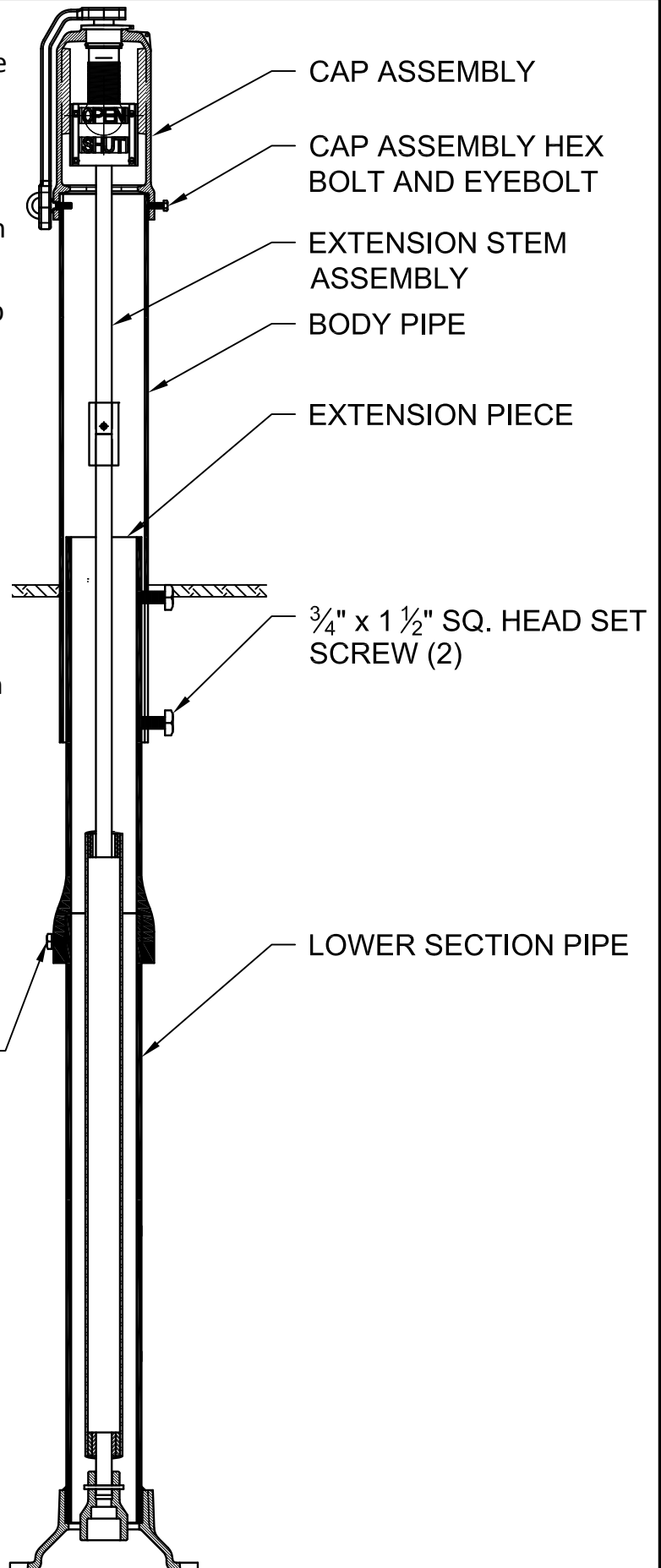


1. Loosen two $\frac{3}{4}$ " set screws at bottom of the Indicator Post body at ground line and remove the Body and Cap assembly by pulling straight up.
2. Install Extension Stem assembly unto the top of the exposed Stem.
3. Install Extension Piece unto existing Lower Section with two $\frac{1}{2}$ " X 1" set screws.
4. Loosen the Eye bolt and the hex bolt from the Cap Assembly and remove from the Indicator Post body pipe.
5. Slide the Body pipe all the way down over the Extension piece until it bottoms out. (do not tighten yet)
6. Install Cap Assembly unto the top of the newly installed Extension Stem assembly.
7. Pull up the Body pipe until it is completely engaged into the Cap Assembly spigot and tighten the two $\frac{3}{4}$ " setscrews at bottom of Body pipe to the newly installed Extension piece and then line up and tighten the eyebolt and hex bolt into existing tapped holes in top of Body pipe.



1/2" x 1" SET SCREW (2)

LOWER SECTION PIPE

2945A INDICATOR POST EXTENSION INSTRUCTIONS
CLOW CANADA