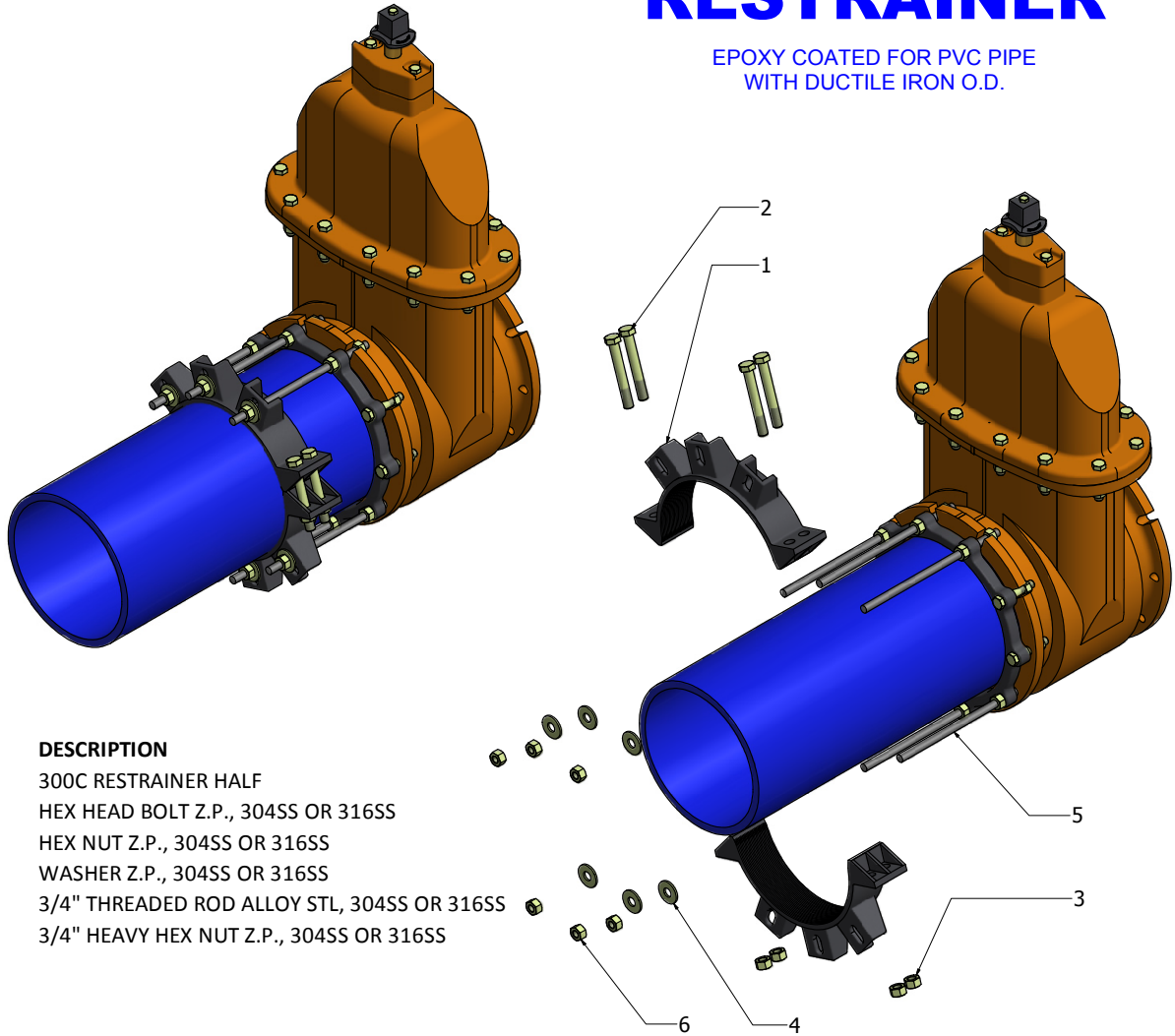
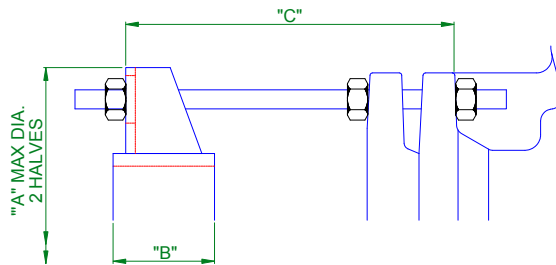


RESTRAINER

EPOXY COATED FOR PVC PIPE
WITH DUCTILE IRON O.D.



REF#	DESCRIPTION
1	300C RESTRAINER HALF
2	HEX HEAD BOLT Z.P., 304SS OR 316SS
3	HEX NUT Z.P., 304SS OR 316SS
4	WASHER Z.P., 304SS OR 316SS
5	3/4" THREADED ROD ALLOY STL, 304SS OR 316SS
6	3/4" HEAVY HEX NUT Z.P., 304SS OR 316SS



NOM. PIPE SIZE	"A"	"B"	"C"	SHIPPING WT.	300C CLAMPING BOLTS	RESTRAINING RODS
14"	22 3/8"	4"	13"	70 lbs	4 @ 7/8" x 6 1/2"	6 @ 3/4"x17"
16"	25 1/2"	4"	13"	70 lbs	4 @ 7/8" x 6 1/2"	6 @ 3/4"x17"
18"	28 1/2"	5"	13"	110 lbs	4 @ 1" x 7"	8 @ 3/4"x17"
20"	30"	5"	20"		4 @ 1" x 8"	8 @ 3/4" x 24" ROD
24"	33 5/8"	5 1/4"	26"		4 @ 1 1/8" x 8 1/2"	12 @ 3/4" x 30" ROD

