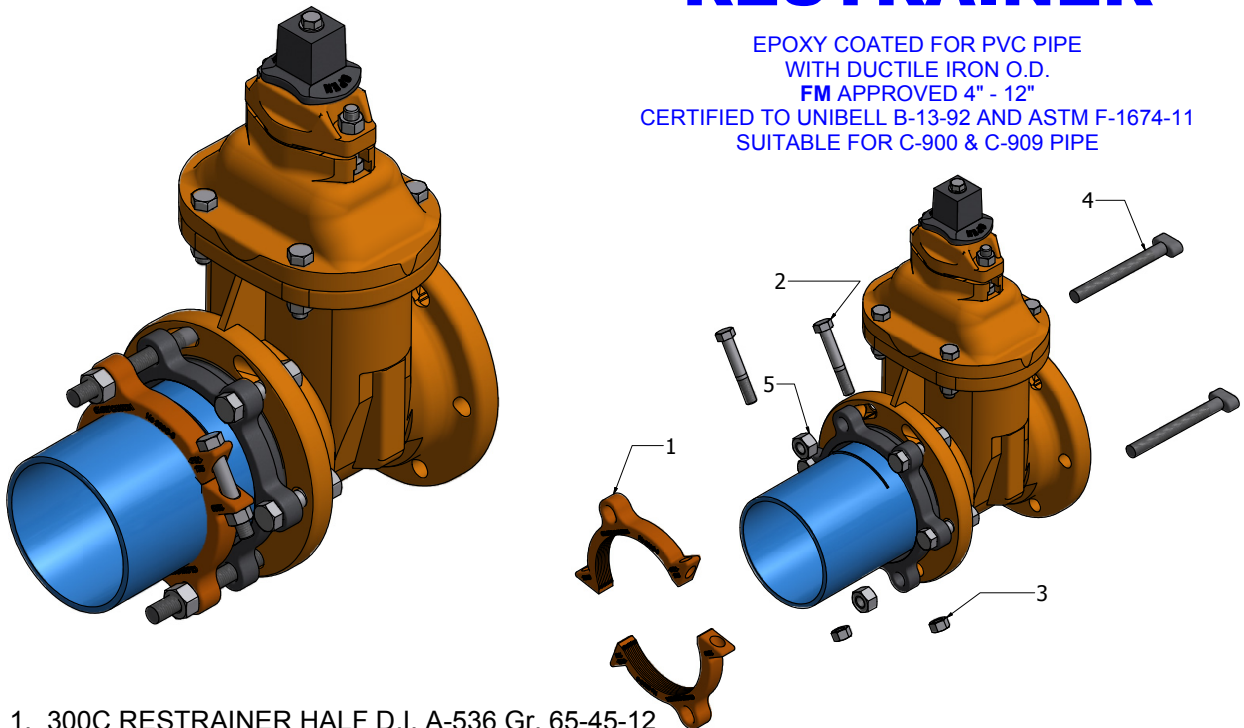
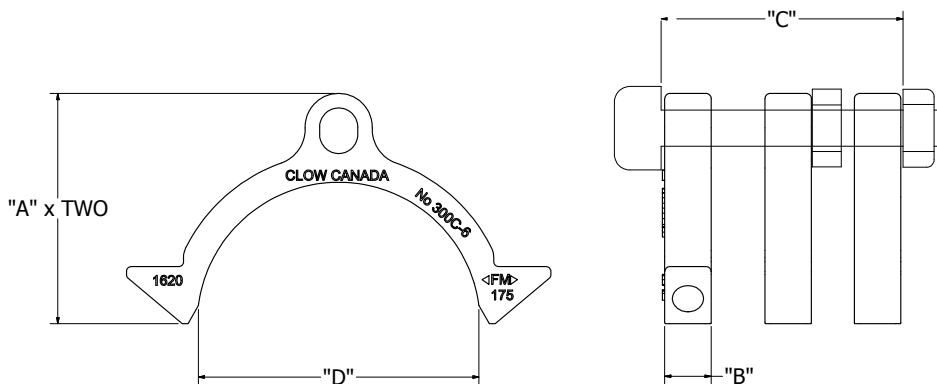


# RESTRAINER

EPOXY COATED FOR PVC PIPE  
WITH DUCTILE IRON O.D.  
FM APPROVED 4" - 12"  
CERTIFIED TO UNIBELL B-13-92 AND ASTM F-1674-11  
SUITABLE FOR C-900 & C-909 PIPE



1. 300C RESTRAINER HALF D.I. A-536 Gr. 65-45-12
  2. HEX HEAD CLAMP BOLTS Z.P. or SS
  3. HEX NUTS Z.P. or SS
  4. 3/4" T-HEAD BOLT or SS THREADED ROD
  5. 3/4" HEAVY HEX NUT Z.P. or SS
- GLAND RING SUPPLIED BY OTHERS**



NOM. PIPE SIZE	"A"(2)	"B"	"C"	"D"	SHIPPING WT.	CLAMPING BOLTS	CLAMPING BOLT TORQUE	RESTRAINING RODS
4"	9 1/8"	1 1/8"	6"	4.70	9 lbs	2 @ 5/8" x 3 1/2"	100 ft lbs	2 @ 3/4"x7" T-bolt
6"	11 1/8"	1 1/8"	6"	6.83	11 lbs	2 @ 5/8" x 4"	100 ft lbs	2 @ 3/4"x7" T-bolt
8"	14 5/8"	1 1/4"	6" (8")	8.98	17 lbs	2 @ 3/4" x 5"	150 ft lbs	2 @ 3/4"x 9" T-bolt
10"	16 5/8"	1 3/8"	6" (8")	11.03	44 lbs	2 @ 7/8" x 6"	200 ft lbs	4 @ 3/4"x12" Threaded Rod
12"	19 1/4"	1 3/8"	6" (8")	13.13	54 lbs	2 @ 7/8" x 6"	200 ft lbs	4 @ 3/4"x12" Threaded Rod

