

CLOW CANADA

350mm - 400mm R/W NRS INDICATOR POST VALVE (all styles) MATERIAL LIST

PROJECT

OWNER

CONTRACTOR

DISTRIBUTOR

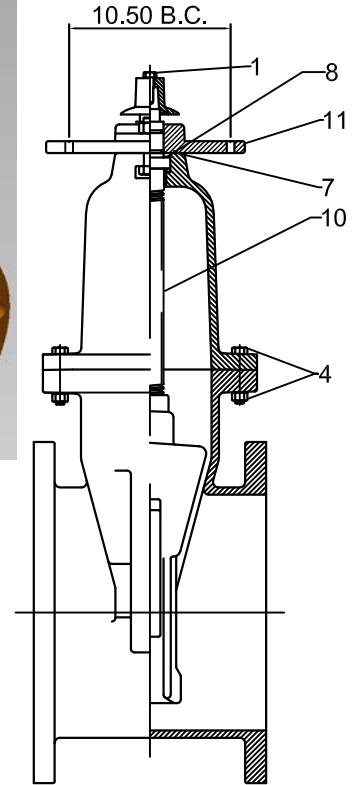
CONSULTANT

MODEL 2638 - AWWA C515 - REDUCED WALL DUCTILE IRON

| ITEM | DESCRIPTION | MATERIAL | ASTM SPEC. |
|------|-------------------------------|-----------------------------|------------------------|
| 1 | HEX HEAD BOLT | STAINLESS STEEL | ASTM F593 304 ST STL |
| 2 | FLAT WASHER | STAINLESS STEEL | 304 ST STL |
| 3 | OPERATING NUT | GRAY IRON | ASTM A126 CL B |
| 4 | HEX HEAD BOLTS & NUTS | STAINLESS STEEL | ASTM F593/4 304 ST STL |
| 6 | STEM O RING | RUBBER | ASTM D-2000 |
| 7 | FOLLOWER PLATE O RING/ GASKET | RUBBER | ASTM D-2000 |
| 8 | THRUST WASHER BEARING | DELTRIN | |
| 9 | HEX HEAD BOLTS & NUTS | STAINLESS STEEL | ASTM F593/4 304 ST STL |
| 10 | STEM | BRONZE | ASTM B584 C83600 |
| 11 | INDICATOR POST PLATE | DUCTILE IRON | ASTM A536 65-45-12 |
| 12 | COVER | DUCTILE IRON | ASTM A536 65-45-12 |
| 13 | COVER O RING | RUBBER | ASTM D-2000 |
| 14 | STEM NUT | BRONZE | ASTM B584 C83600 |
| 15 | WEDGE | 12"-16" DUCTILE IRON & BUNA | ASTM A536 65-45-12 |
| 16 | BODY - ALL TYPES | DUCTILE IRON | ASTM A536 65-45-12 |



F-6100 PIV MJ SHOWN



F-6102 PIV FLG SHOWN



APPLICATIONS
FIRE WATER
POTTABLE WATER



| FIGURE # | AVAILABLE INDICATOR POST END CONNECTIONS | SIZE |
|----------|--|-----------|
| F-6102 | FLG END (NRS) (ANSI B16.1 CLASS 125) | 14" - 16" |
| F-6100 | M.J. (ANSI A-21.11) | 14" - 16" |
| F-6106 | FLG x M.J. | 14" - 16" |
| F-6112 | TYTON for D.I. & C900 PVC (AWWA C111 / A21.11) | 14" - 16" |

TEST DATA

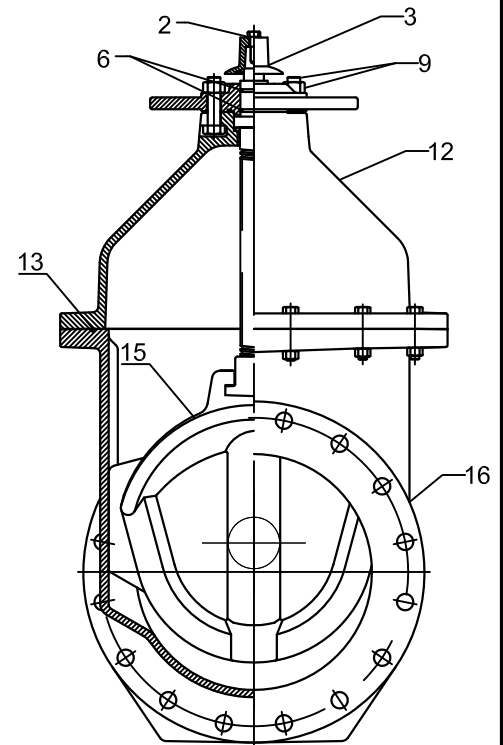
| SIZE RANGE | RATED WORKING WATER PRESSURE PSI | BUBBLE TIGHT | HYDROSTATIC SHELL TEST PSI |
|-----------------|----------------------------------|--------------|----------------------------|
| AWWA 14" - 16" | 250 | 250 | 500 |
| UL/FM 14" - 16" | 200 | 200 | 400 |

CERTIFICATIONS

Complies with the **FM** standard for **FIRE SERVICE CONTROL VALVES**
Complies with Underwriters Laboratory standard UL 262 & UL Canada 312
 Electrostatically applied Epoxy Coating per **AWWA C550** complies with **NSF 61**
 Indicator Post Valves comply with **NFPA 24** standards
NSF/ANSI 372 COMPLIANT - DRINKING WATER SYSTEMS COMPONENTS - LEAD CONTENT
 80% - 90% RECYCLED CONTENT as defined by LEED - **New Construction and Major Renovation version 2.2**

PHYSICAL PROPERTIES

Temperature range - 32 to 125 degrees Fahrenheit / 0 to 52 degrees Celsius
 250 PSI / 17.2 bar non - shock cold working pressure
 100% full port - smooth waterway no pockets or cavities
 Valve has been cycle tested 5,000 times without loss of bubble-tight seal
 Valve has been subjected to torques 150% of the designated minimum required torques
 Can be supplied with 2:1 gear operator for high pressure applications



F-6102 PIV FLG SHOWN

CLOW CANADA

350mm - 400mm R/W VALVE MECHANICAL JOINT
GENERAL DIMENSIONS

PROJECT

OWNER

CONTRACTOR

DISTRIBUTOR

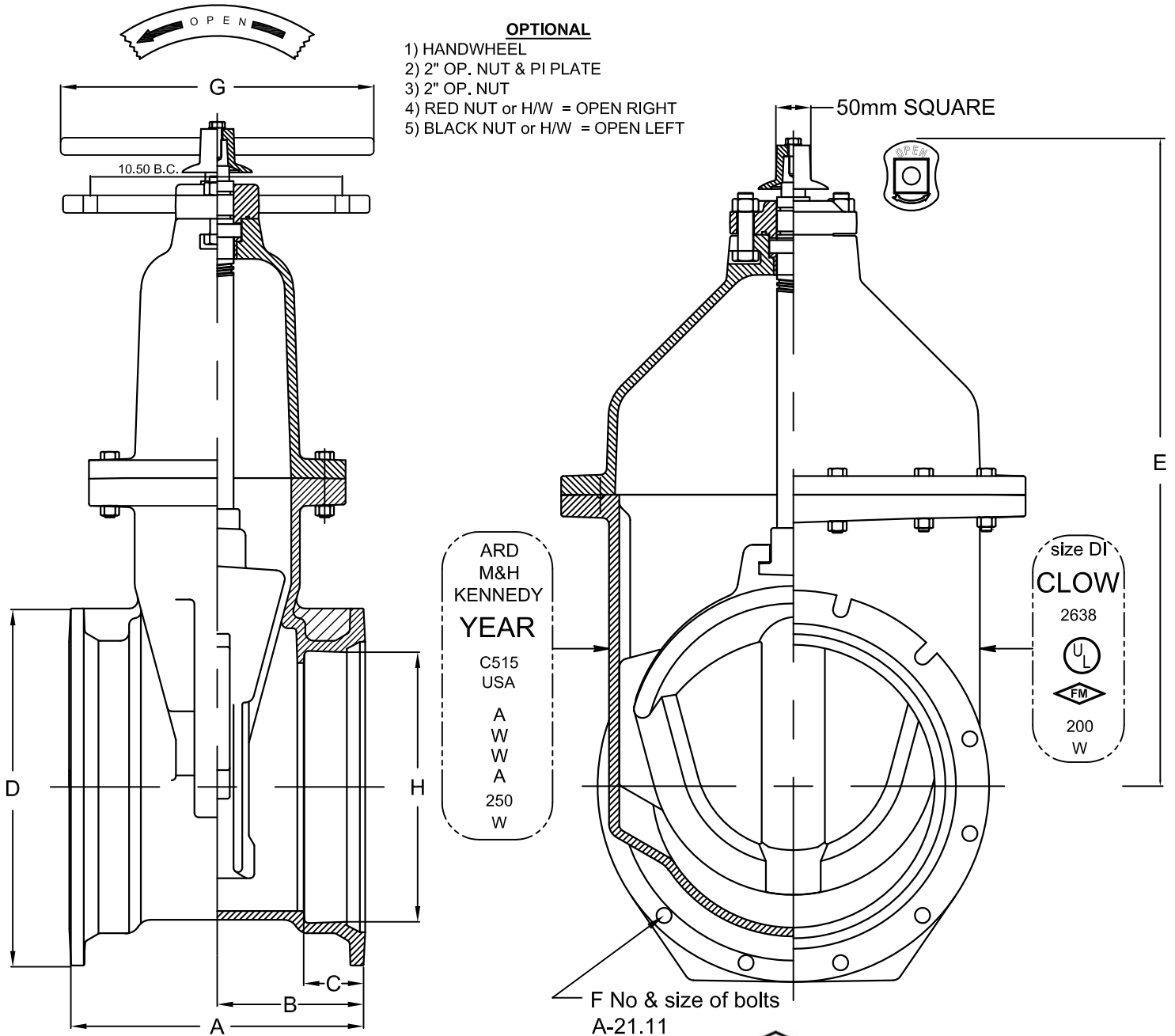
CONSULTANT

CLOW FIGURE NUMBER F-6100

CLOW MODEL 2638 AWWA C515
REDUCED WALL DUCTILE IRON

OPTIONAL

- 1) HANDWHEEL
- 2) 2" OP. NUT & PI PLATE
- 3) 2" OP. NUT
- 4) RED NUT or H/W = OPEN RIGHT
- 5) BLACK NUT or H/W = OPEN LEFT



350mm & 400mm MECHANICAL JOINT VALVE METRIC DIMENSIONS

| VALVE SIZE | A | B | C | D | E | F | G | H | NUMBER of TURNS | WEIGHT W/2" NUT | WEIGHT W/HW | WEIGHT PI PLATE |
|------------|-----|-----|----|-----|-----|---------|-----|-----|-----------------|-----------------|-------------|-----------------|
| 350 | 432 | 216 | 89 | 514 | 959 | 10 - 19 | 457 | 362 | 52 | 625 lbs | 644 lbs | 641 lbs |
| 400 | 432 | 216 | 89 | 572 | 959 | 12 - 19 | 457 | 413 | 52 | 675 lbs | 694 lbs | 691 lbs |

CLOW CANADA

PROJECT

OWNER

CONTRACTOR

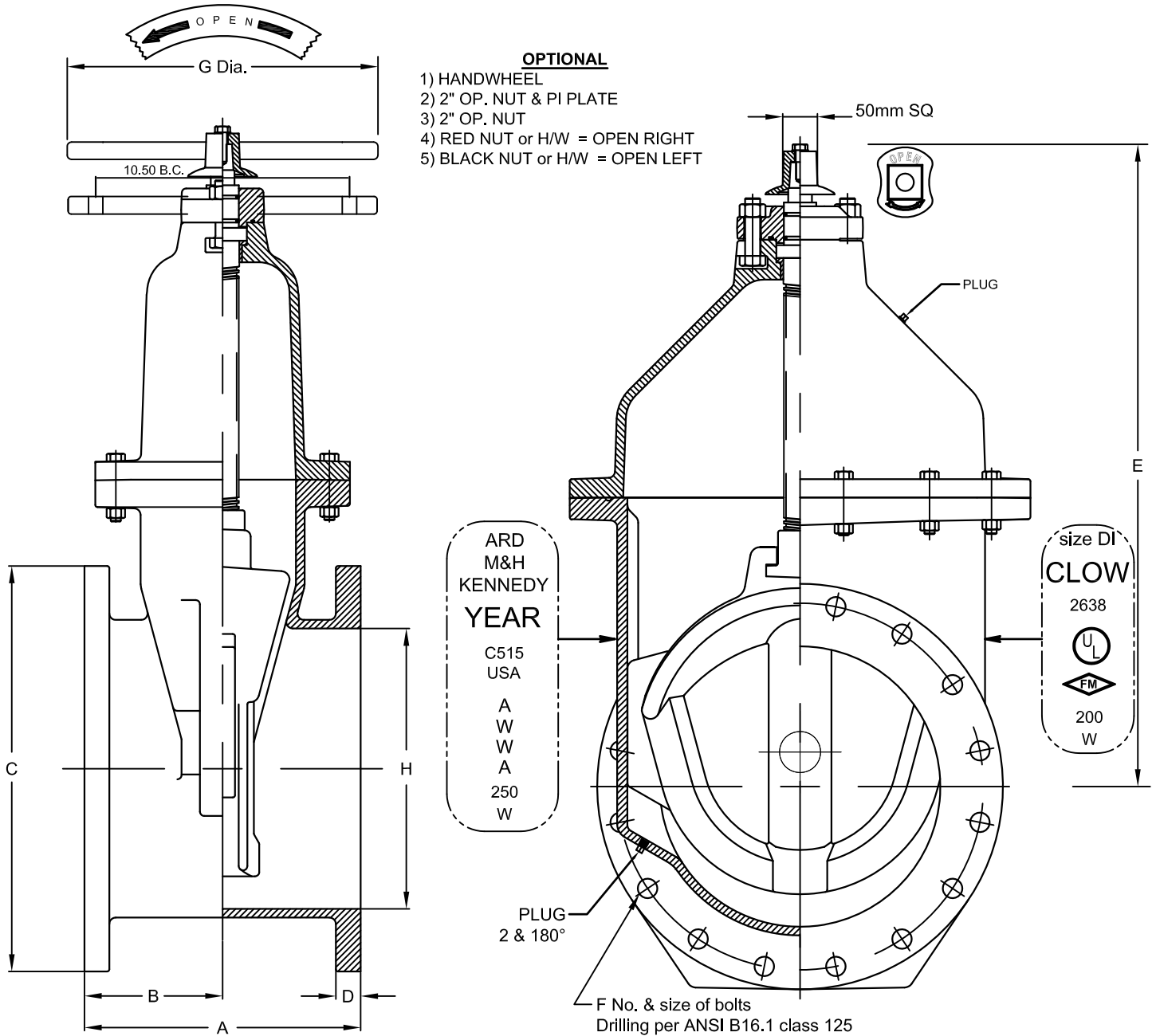
DISTRIBUTOR

CONSULTANT

350mm - 400mm R/W VALVE FLANGED END GENERAL DIMENSIONS

CLOW FIGURE NUMBER F-6102

CLOW MODEL 2638 AWWA C515
REDUCED WALL DUCTILE IRON



350mm & 400mm FLANGED VALVE METRIC DIMENSIONS

| VALVE SIZE | A | B | C | D | E | F | G | H | NUMBER of TURNS NO GEAR | WEIGHT W/2" NUT | WEIGHT W/HW | WEIGHT PI PLATE |
|------------|-----|-----|-----|----|-----|-------|-----|-----|-------------------------|-----------------|-------------|-----------------|
| 350 | 381 | 190 | 533 | 35 | 959 | 12-25 | 457 | 362 | 52 | 665 lbs | 690 lbs | 681 lbs |
| 400 | 406 | 203 | 597 | 37 | 959 | 16-25 | 457 | 416 | 52 | 720 lbs | 745 lbs | 736 lbs |

CLOW CANADA

350 - 400 R/W VALVE FLG x MJ END
GENERAL DIMENSIONS

PROJECT

OWNER

CONTRACTOR

DISTRIBUTOR

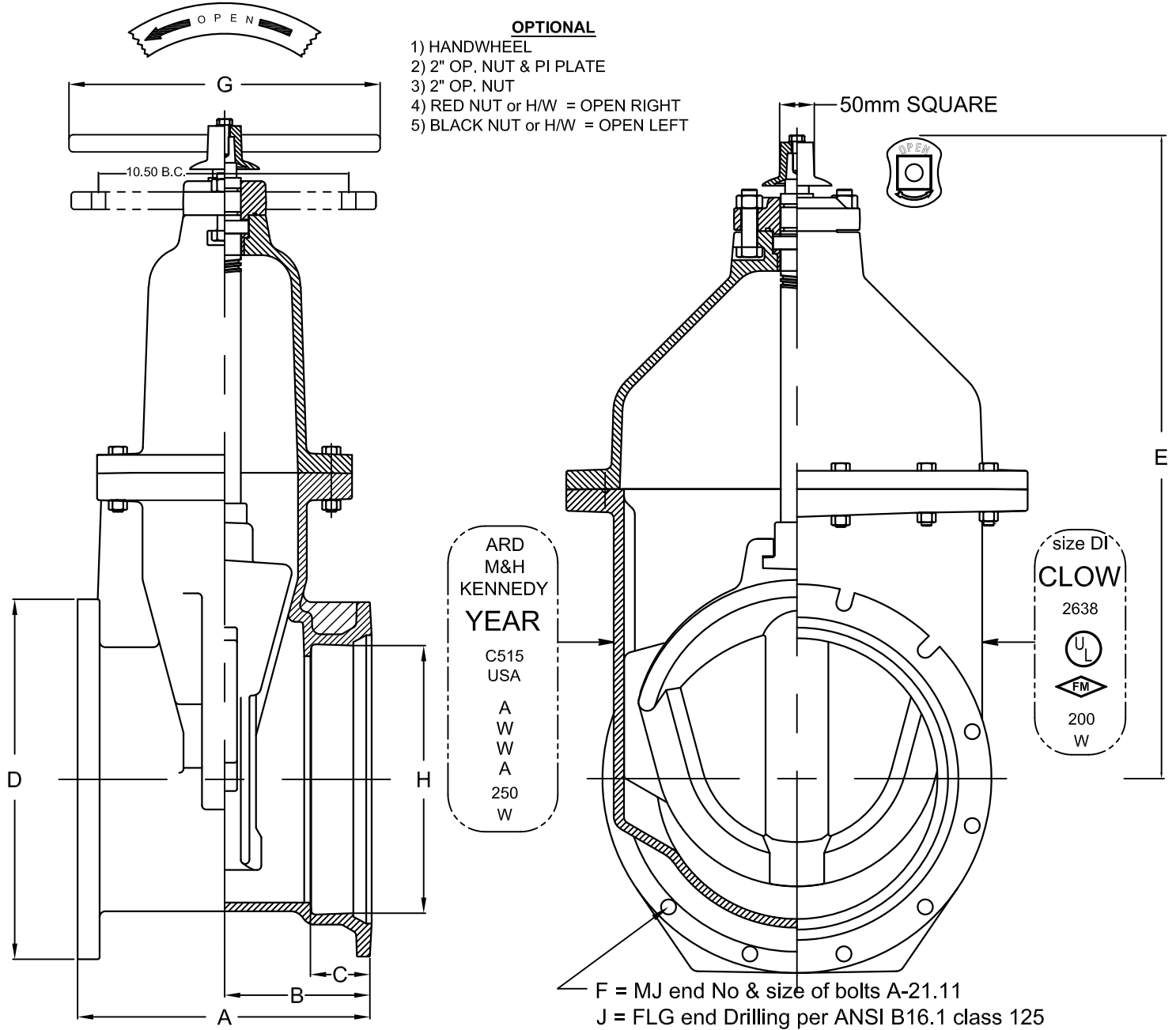
CONSULTANT

CLOW FIGURE NUMBER F-6106

CLOW MODEL 2638 AWWA C515
REDUCED WALL DUCTILE IRON

OPTIONAL

- 1) HANDWHEEL
- 2) 2" OP. NUT & PI PLATE
- 3) 2" OP. NUT
- 4) RED NUT or H/W = OPEN RIGHT
- 5) BLACK NUT or H/W = OPEN LEFT



F = MJ end No & size of bolts A-21.11
J = FLG end Drilling per ANSI B16.1 class 125



350mm & 400mm FLANGED x M.J. VALVE METRIC DIMENSIONS

| VALVE SIZE | A | B | C | D | E | F | G | H | J | NUMBER of TURNS | WEIGHT W/2" NUT | WEIGHT W/HW | WEIGHT PI PLATE |
|------------|-----|-----|----|-----|-----|---------|-----|-----|---------|-----------------|-----------------|-------------|-----------------|
| 350 | 430 | 215 | 89 | 533 | 959 | 10 - 19 | 457 | 362 | 12 - 25 | 52 | 750 lbs | 768 lbs | 766 lbs |
| 400 | 430 | 215 | 89 | 597 | 959 | 12 - 19 | 457 | 413 | 16 - 25 | 52 | 850 lbs | 868 lbs | 866 lbs |

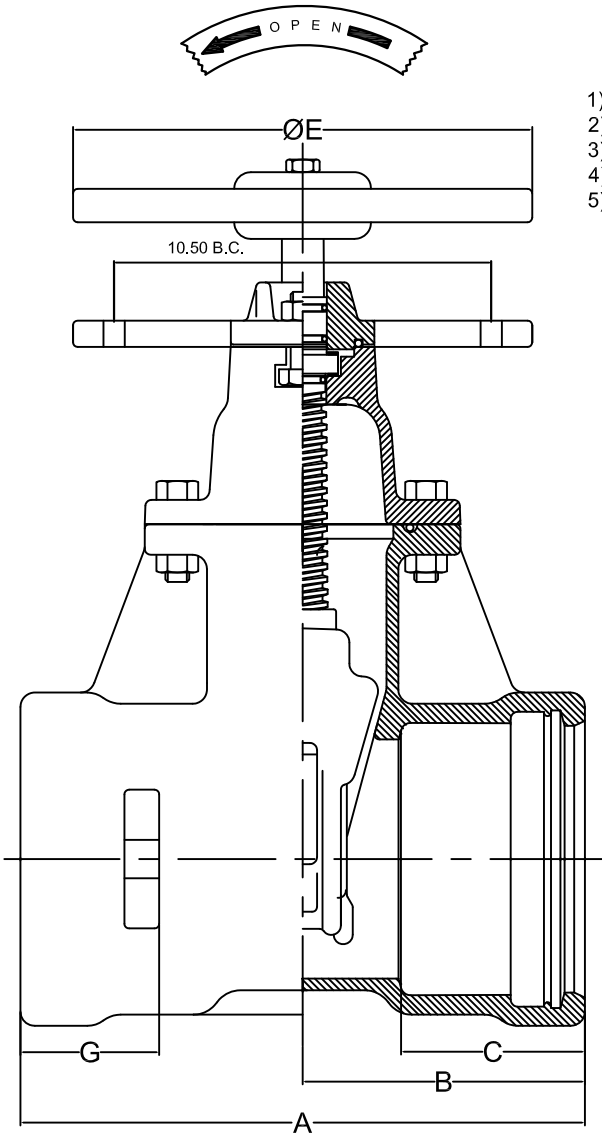
CLOW CANADA

PROJECT
OWNER
CONTRACTOR
DISTRIBUTOR
CONSULTANT

350mm - 400mm R/W VALVE TYTON END
GENERAL DIMENSIONS

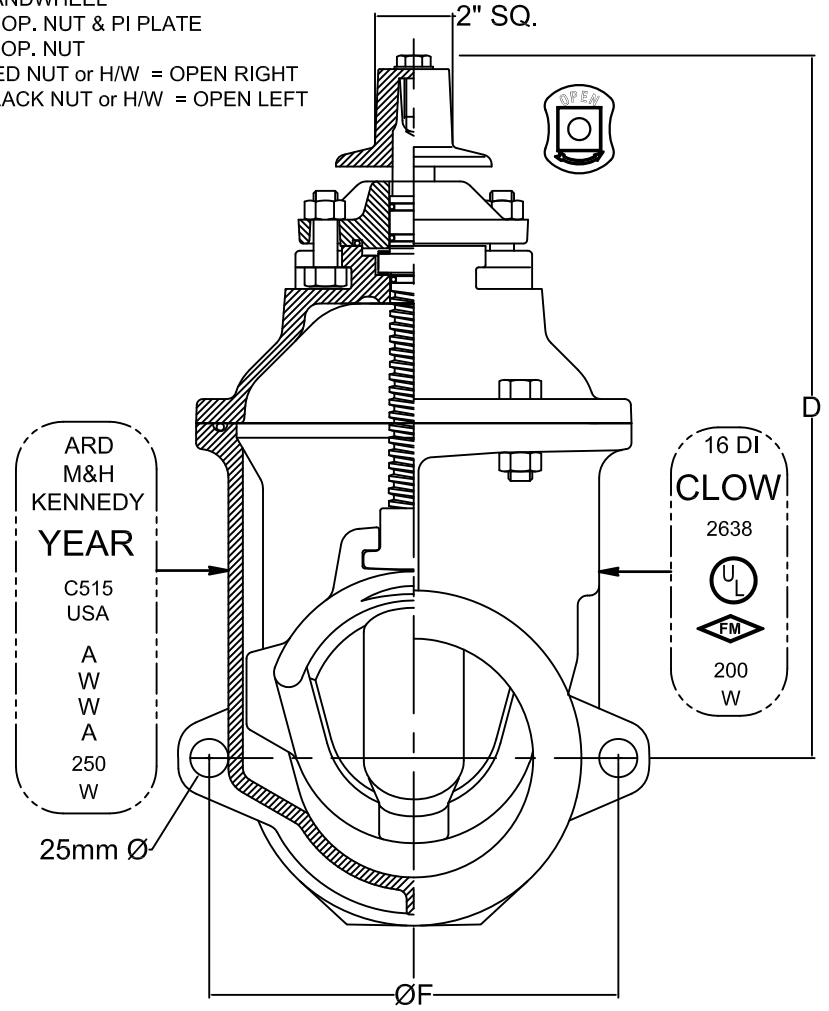
CLOW FIGURE NUMBER F-6112

CLOW MODEL 2638 AWWA C515
REDUCED WALL DUCTILE IRON



OPTIONAL

- 1) HANDWHEEL
- 2) 2" OP. NUT & PI PLATE
- 3) 2" OP. NUT
- 4) RED NUT or H/W = OPEN RIGHT
- 5) BLACK NUT or H/W = OPEN LEFT



TYTON ENDS PER ANSI / AWWA C111 / A21.11



| 350mm & 400mm TYTON VALVE METRIC DIMENSIONS | | | | | | | | | | | |
|---|-----|-----|-----|-----|-----|-----|----|-----------------|-------------|-----------------|-----------------|
| VALVE SIZE | A | B | C | D | E | F | G | WEIGHT W/2" NUT | WEIGHT W/HW | WEIGHT PI PLATE | NUMBER of TURNS |
| 350 | 533 | 267 | 127 | 984 | 660 | 566 | 64 | 716 lbs | 735 lbs | 732 lbs | 52 |
| 400 | 611 | 306 | 172 | 959 | 660 | 570 | 64 | 726 lbs | 745 lbs | 742 lbs | 52 |