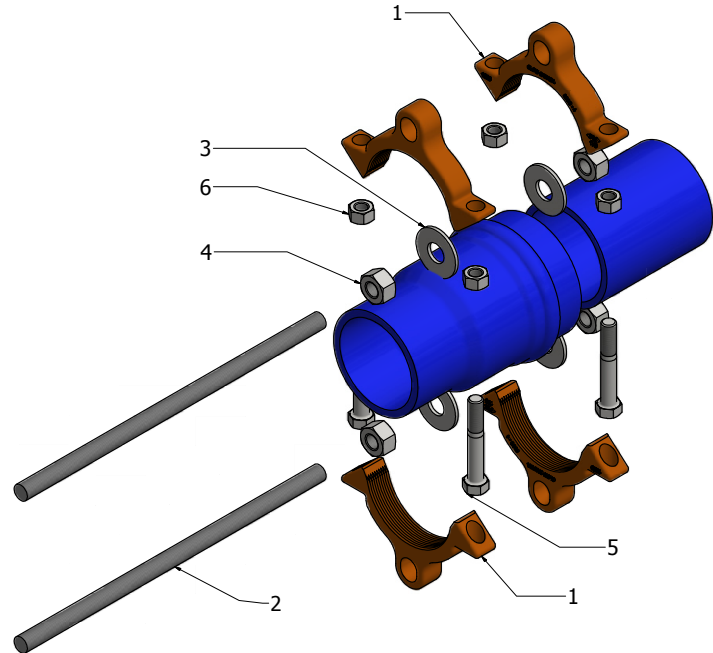
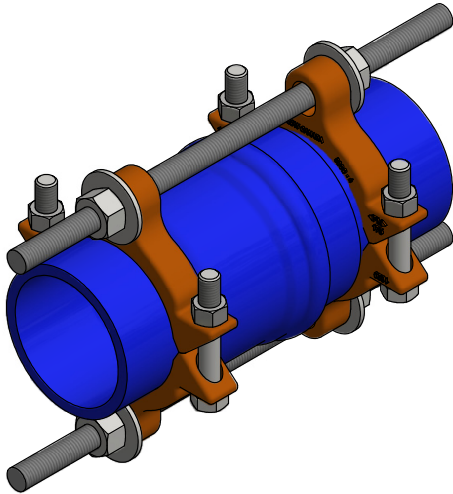
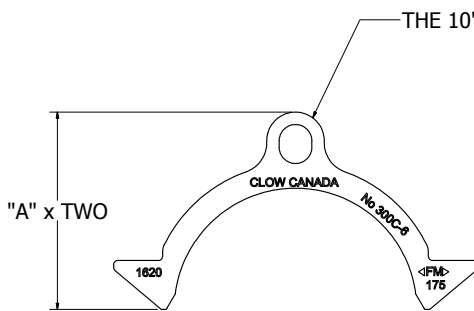


RESTRAINER

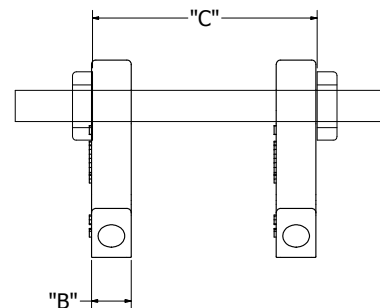
EPOXY COATED FOR PVC PIPE
 WITH DUCTILE IRON O.D.
 FM APPROVED 4" - 12"
 CERTIFIED TO UNIBELL B-13-92 AND ASTM F-1674-11
 SUITABLE FOR C-900 & C-909 PIPE



- | REF# | DESCRIPTION |
|------|--|
| 1 | 300C RESTRAINER HALF D.I. A-536 Gr. 65-45-12 |
| 2 | 3/4" x 17" or 24" LONG THREADED ROD
ALLOY STEEL or ST. STL. |
| 3 | 15/16" I.D. x 2 1/4" O.D. FLAT WASHER
Z.P. or ST. STL |
| 4 | 3/4" HEAVY HEX NUT Z.P. or ST. STL. |
| 5 | HEX HEAD BOLT Z.P. or ST. STL. |
| 6 | HEX NUT Z.P. or ST. STL. |



THE 10" & 12" HAVE TWO LUGS PER HALF



NOM. PIPE SIZE	"A" (2)	"B"	"C"	SHIPPING WT.	CLAMPING BOLTS	CLAMPING BOLT TORQUE	RESTRAINING RODS
4"	9 1/8"	1 1/8"	12"	18 lbs	4 @ 5/8" x 3 1/2"	100 FT LBS	2 @ 3/4"x17" ROD
6"	11 1/8"	1 1/8"	13"	22 lbs	4 @ 5/8" x 4"	100 FT LBS	2 @ 3/4"x17" ROD
8"	14 5/8"	1 1/4"	15"	34 lbs	4 @ 3/4" x 5"	150 FT LBS	2 @ 3/4"x17" ROD
10"	16 5/8"	1 3/8"	16"	52 lbs	4 @ 7/8" x 6"	200 FT LBS	4 @ 3/4"x24" ROD
12"	19 1/4"	1 3/8"	18"	76 lbs	4 @ 7/8" x 6"	200 FT LBS	4 @ 3/4"x24" ROD

