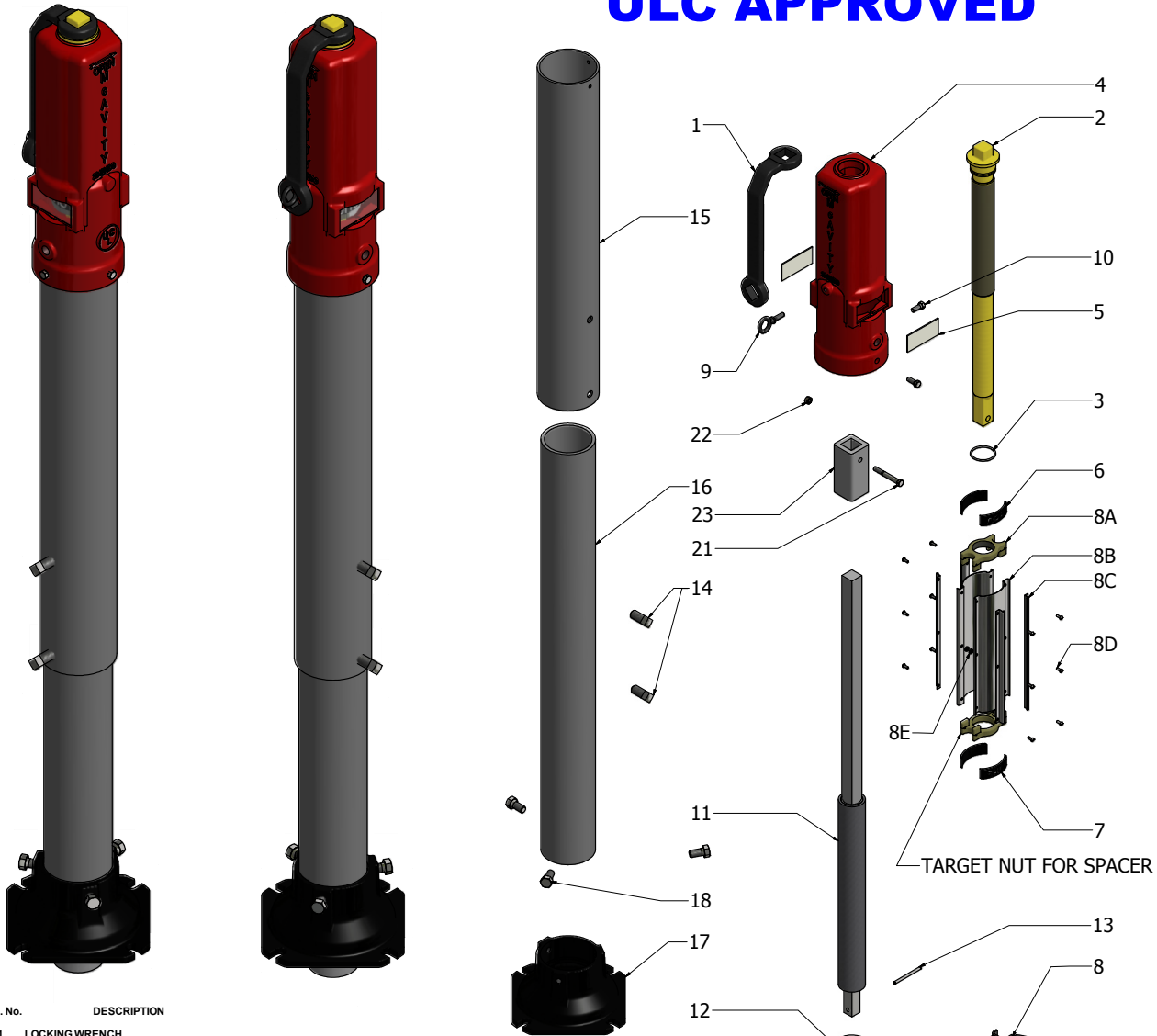
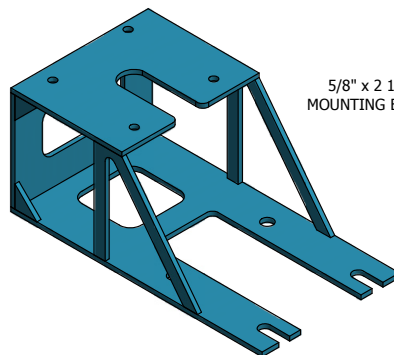


2945HDG INDICATOR POST ULC APPROVED

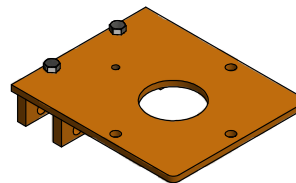


REF. No.	DESCRIPTION
1	LOCKING WRENCH
2	2945HDG OPERATING NUT
3	RETAINER "O" RING
4	2945HDG INDICATOR POST CAP
5	WINDOW GLASS
6	TARGET "OPEN"
7	TARGET "SHUT"
8	2945HDG TARGET CARRIER ASSEMBLY
8A	TARGET CARRIER NUT
8B	2945HDG TARGET CARRIER PLATE
8C	2945HDG TARGET RETAINER CLAMP
8D	PAN HEAD SCREW #10-24 x 1/2"
8E	HEX NUT #10-24
9	EYEBOLT 3/8" x 1" LG
10	HEX HEAD BOLT 3/8"-16 x 1" LG
11	2945HDG OPERATING STEM
12	BOTTOM NUT (COUPLE STEM TO VALVE)
13	SPRING PIN 1/4" x 2 1/2" LG
14	3/4"-10 SQUARE HEAD SET SCREW
15	ADJUSTABLE INDICATOR POST BODY
16	ADJUSTABLE LOWER SECTION PIPE
17	BASE FLANGE
20	HEX NUT 5/8-11
21	3/8" x 3 HEX BOLT
22	HEX NUT 3/8-16
23	1 1/4" SQ. STEM COUPLING



SPUR GEAR ADAPTER

5/8" x 2 1/4" HEX BOLTS & NUTS FOR MOUNTING BASE PLATE TO ADAPTER PLATE



BEVEL GEAR ADAPTER

