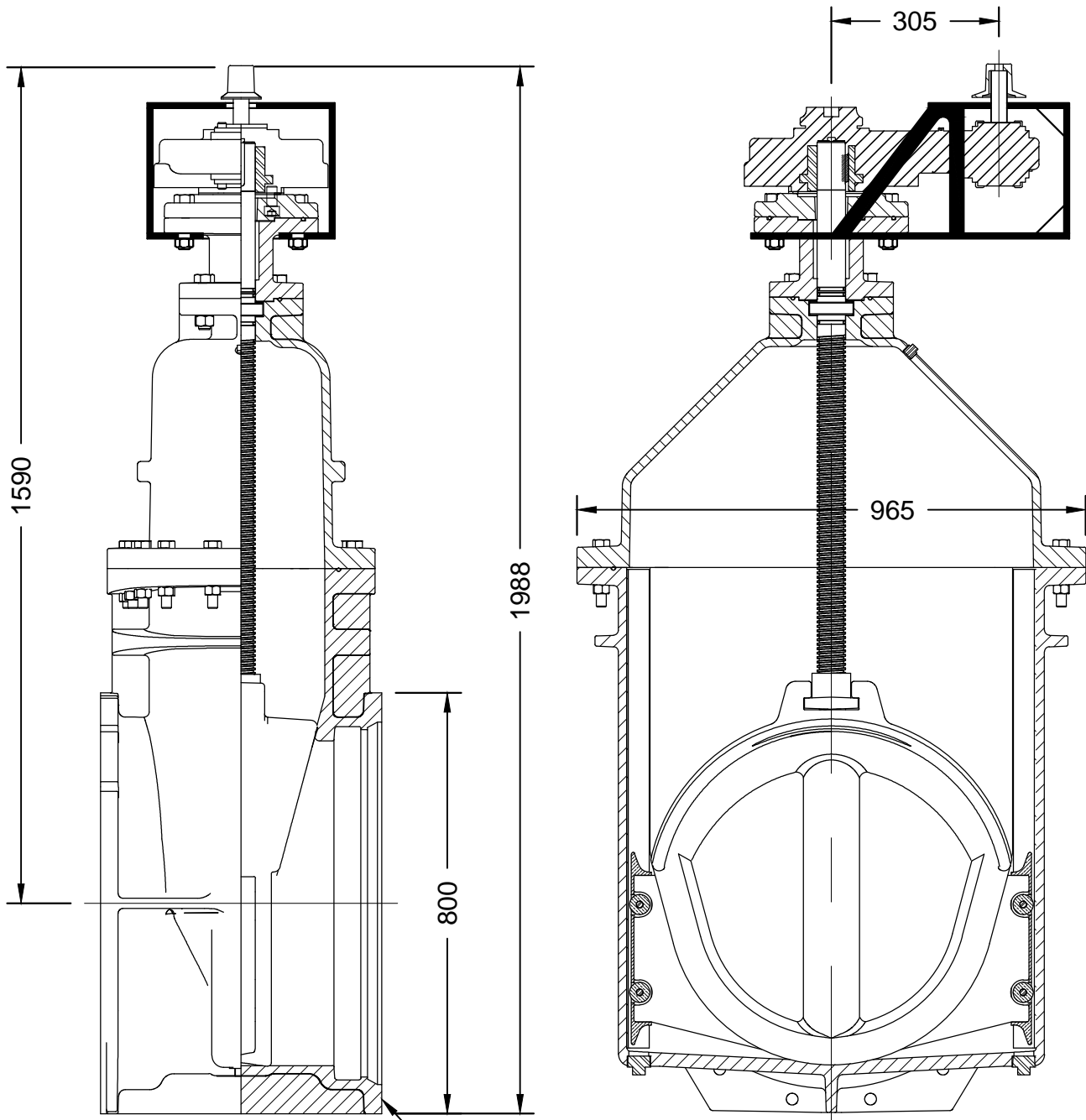


PROJECT	600mm R/W GV M.J. RTS SPUR GEAR & INDICATOR POST ADAPTER METRIC DIMENSIONS MODEL F6100 CLOW CANADA
OWNER	
CONTRACTOR	
DISTRIBUTOR	
CONSULTANT	



(16)Ø 3/4" BOLTS
 DRILLING PER ANSI/AWWA C111/A21.11

ALL DIMENSIONS IN MILLIMETERS