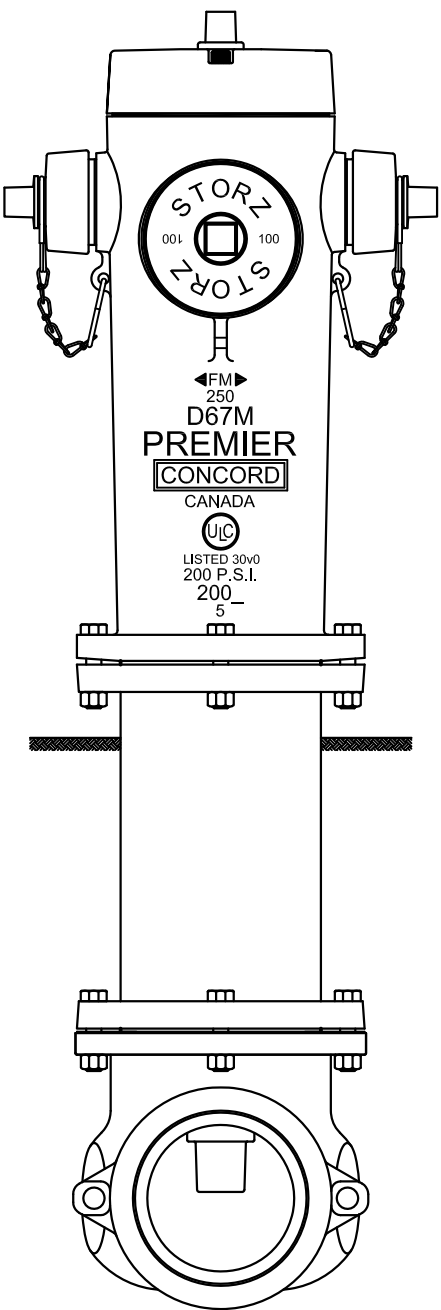


	PATT OR DIE No.	FINISH	UNLESS OTHERWISE SPECIFIED DECIMAL DIM'S IN 2 PLACES + or -.02 DIM'S IN 3 PLACES + or -.01 FRACTION DIM'S UNDER 6" + or - DIM'S OVER 6" + or -
LETTER CHANGE	MATERIAL	WEIGHT	

REF. Nos.



DRAWN <i>L.G. McKay</i>	CHECKED	EXAMINED	NOTED	APPROVED
----------------------------	---------	----------	-------	----------

D67M-P 2 HOSE STORZ PUMPER
WITH 6" PUSH-ON ELBOW

CLOW CANADA

SCALE NOT TO SCALE DATE SEPT. / 2010

D67MP-009