

ECCENTRIC PLUG VALVES

KENNEDY VALVE

Size Range	3"-24"	
Size Range	Water Working	Hydrostatic
Size Range	Pressure psi	Test psi
3"-12"	175	350
14"-24"	150	300

Available End Connections & Size Range

Figure No.

Flanged	3"-24"	F-5412
M.J.	3"-24"	F-5413
Grooved	3"-16"	F-5414
Flanged-Full Port	3"-12"	2725

Accessories

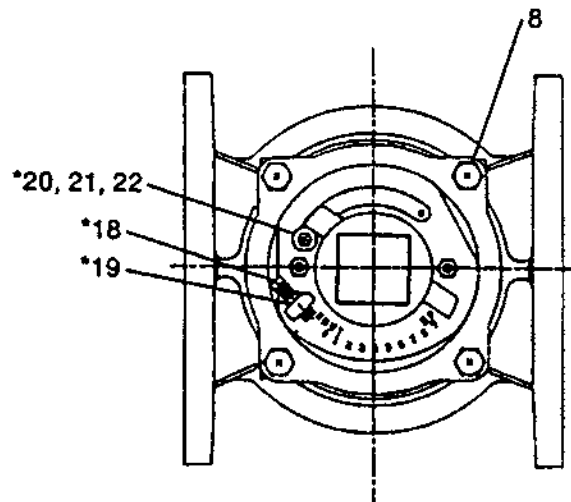
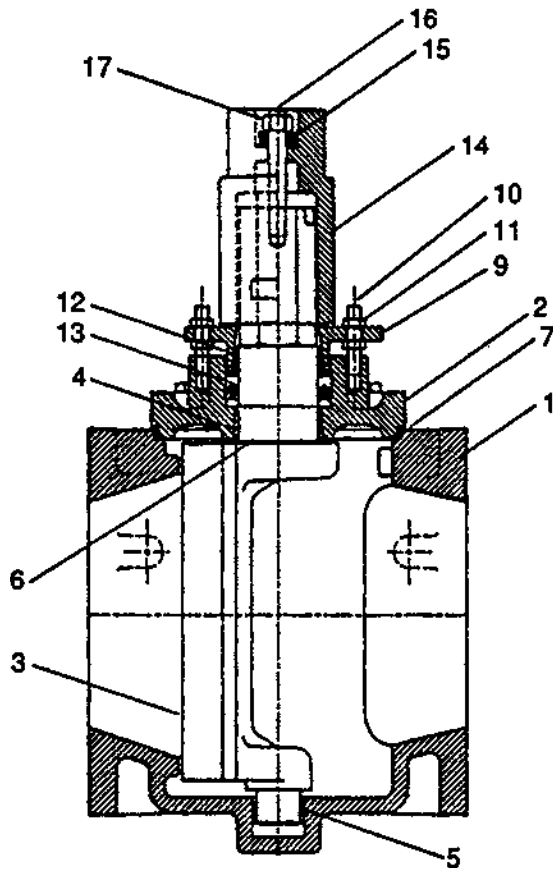
Floorstands	Electric Motor Actuators
Extension Stems	Cylinder Actuators
Extended Bonnets	Limit Switches
2" Sq. Operating Nuts	Stem Guides
Handwheels	Floor Boxes
Lever Wrench Head (3"-8")	"T" Handles
Chainwheels	Chainlevers (3"-8")
Worm Gear Actuators	

***Note: Call Factory For Special Applications**

Valves 3" through 8" are available with lever actuators. Geared actuators are recommended on 6" and larger valves. It is also recommended that valves installed in pipelines with high velocity or where water hammer conditions can be caused by sudden valve shut-off that geared actuators be installed. Lever actuators can only be used for pressure ratings of 100 psi maximum and 25 psi in the reverse flow condition.

3"-12" ECCENTRIC PLUG VALVE PARTS LIST

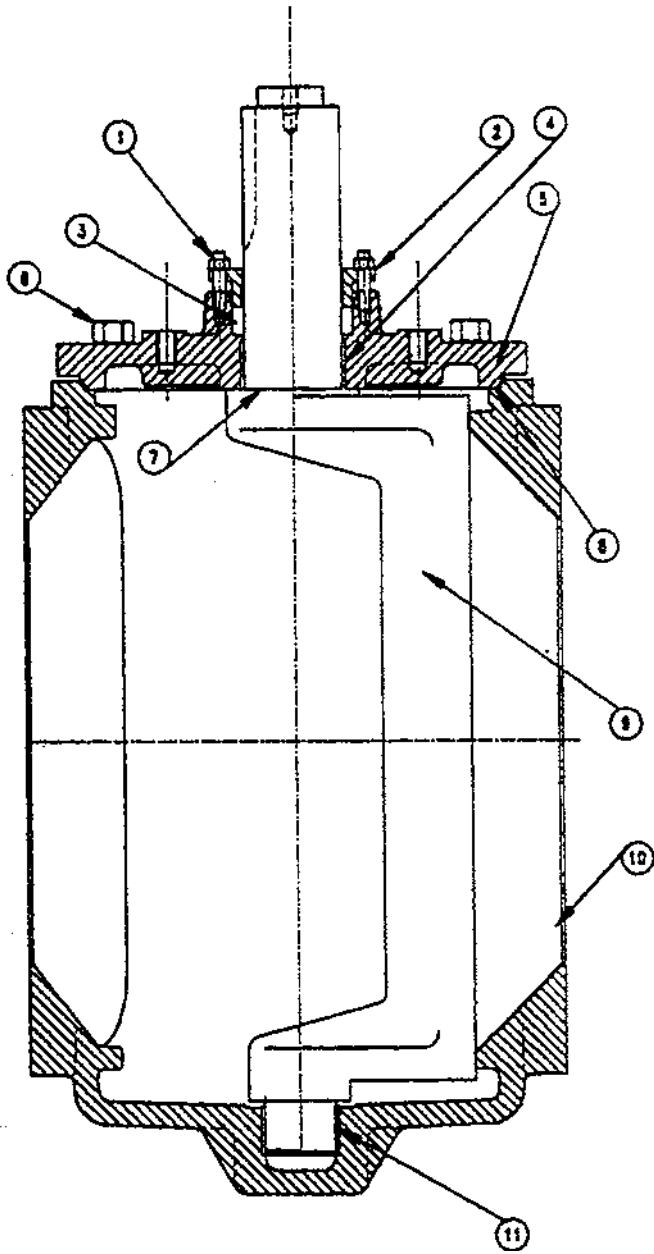
KENNEDY VALVE



DET.	QTY.	DESCRIPTION	MATERIAL
1	1	Body	Cast Iron ASTM A-126 Class B
2	1	Cover	Cast Iron ASTM A-126 Class B
3	1	Plug	Cast Iron & Buna-N
4	1	Top Bearing	316 Stainless Steel
5	1	Bottom Bearing	316 Stainless Steel
6	1	Thrust Washer	Nylatron
7	1	Cover O-Ring	Buna-N
8		Cover Capscrews	Zinc Plated Steel
9	1	Gland/Brake Follower	Cast Iron ASTM A-126 Class B
10	2	Follower Stud	Zinc Plated Steel
11	4	Follower Nuts	Zinc Plated Steel
12	1	Brake	Glass Reinforced PPS
13	1-Set	Vee Packing	Buna-N
14	1	Operating Nut	Cast Iron ASTM A-126 Class B
15	5	Bellveu Spring Washer	Zinc Plated Steel
16	1	Adjusting Stud	Zinc Plated Steel
17	1	Lock Nut	Zinc Plated Steel
18	1	Square Head Set Screw	Zinc Plated Steel
19	1	Jam Nut	Zinc Plated Steel
20	1	Socket Head Capscrew	Zinc Plated Steel
21	1	Flat Washer	Zinc Plated Steel
22	1	Jam Nut	Zinc Plated Steel

14"-24" ECCENTRIC PLUG VALVE PARTS LIST

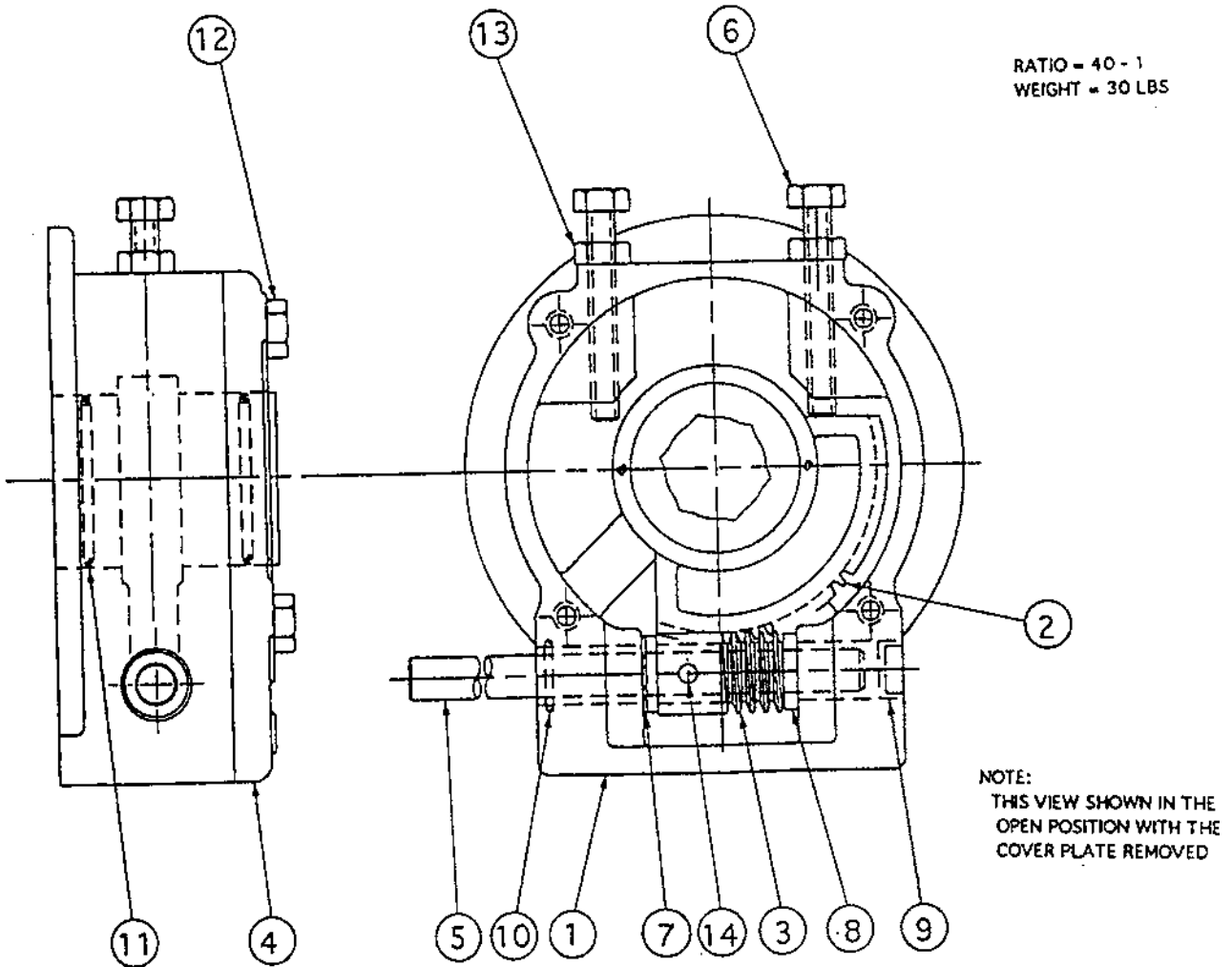
KENNEDY VALVE



ITEM NO.	DESCRIPTION		ASTM
1	Stud & Hex Nuts	Steel – Zinc Plated	
2	Follower Gland	Cast Iron	ASTM A-126 Class B
3	"V" Ring Seals	Buna-N	
4	316 S S Oil Impregnated Sleeve Bearing		
5	Cover	Cast Iron	ASTM A-126 Class B
6	Hex Head Capscrew	Steel – Zinc Plated	
7	Thrust Washer	Nylatron	
8	Cover O-Ring	Buna-N	
9	Plug	Cast Iron & Buna-N	ASTM A-126 Class B
10	Body	Cast Iron	ASTM A-126 Class B
11	316 S S Oil Impregnated Sleeve Bearing		

3"-24" ECCENTRIC PLUG VALVE WORM GEAR OPERATOR – PARTS LIST

KENNEDY VALVE

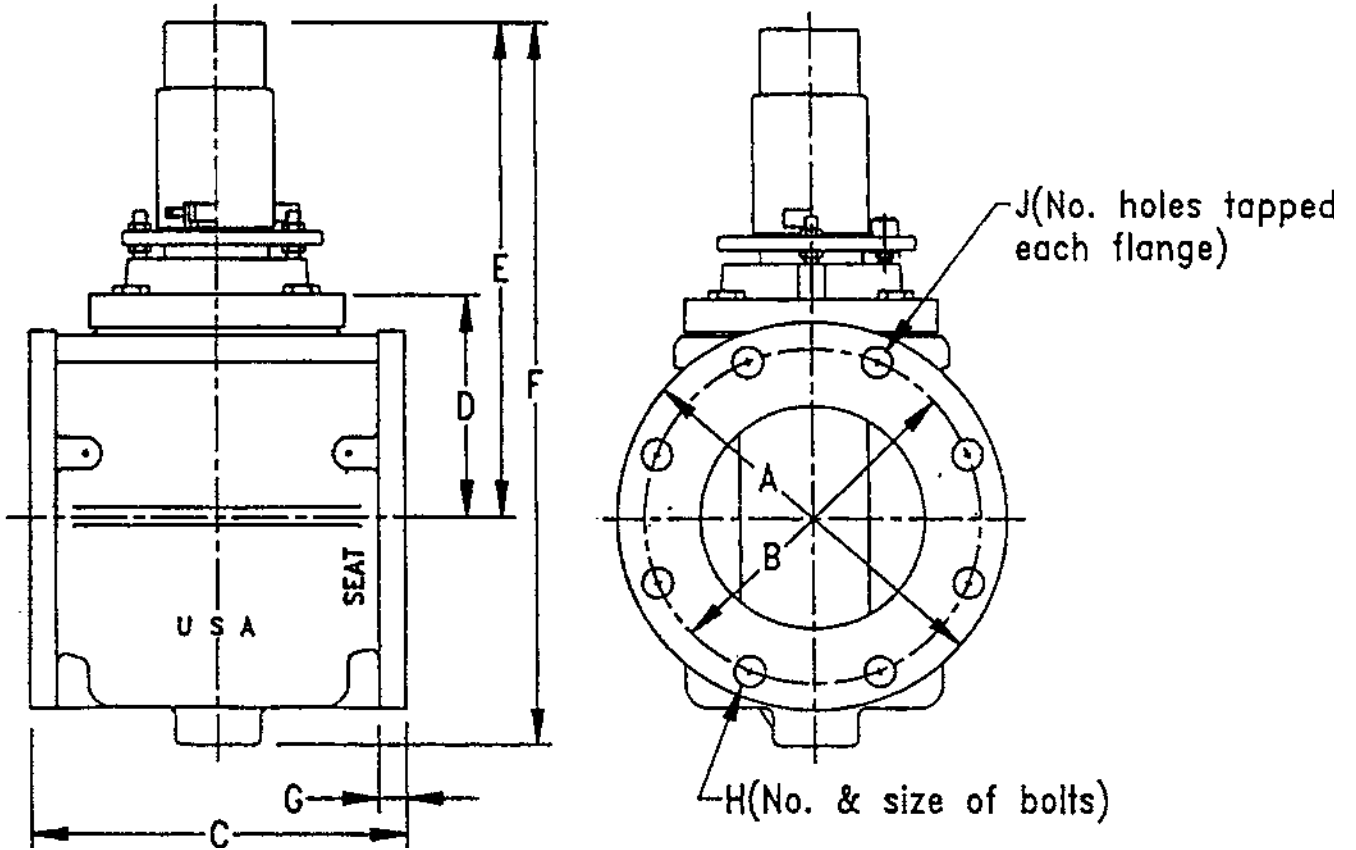


DET.	QTY.	DESCRIPTION	MATERIAL
1	1	Housing	Cast Iron ASTM A-126 Class B
2	1	Drive Sleeve	Manganese Bronze
3	1	Worm	AISI-11L41
4	1	Cover Plate	Cast Iron ASTM A-126 Class B
5	1	Worm Shaft	AISI-11L41
6	2	Stop Screw	ASTM A108
7	2	Shim	Mild Steel
8	2	Thrust Bearing	Oil Impregnated Bronze
9	1	Expansion Plug	ASTM A108
10	2	O-Ring	Buna-N
11	2	O-Ring	Buna-N
12	4	Hex Head Cap Screw	ASTM A100
13	2	Lock Nut	ASTM A-108
14	1	Spring Pin	High Tensile Steel

**3"-8" ECCENTRIC PLUG VALVE
FLANGED ENDS – GENERAL DIMENSIONS**

KENNEDY VALVE

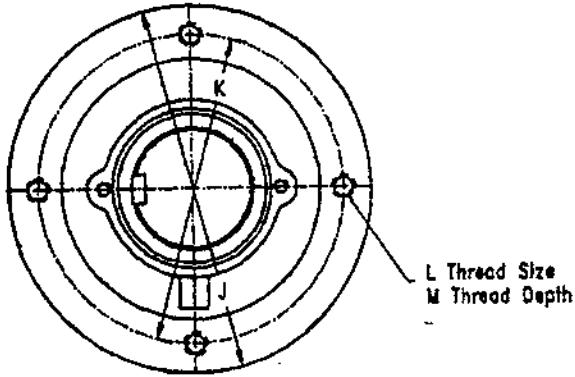
F-5412



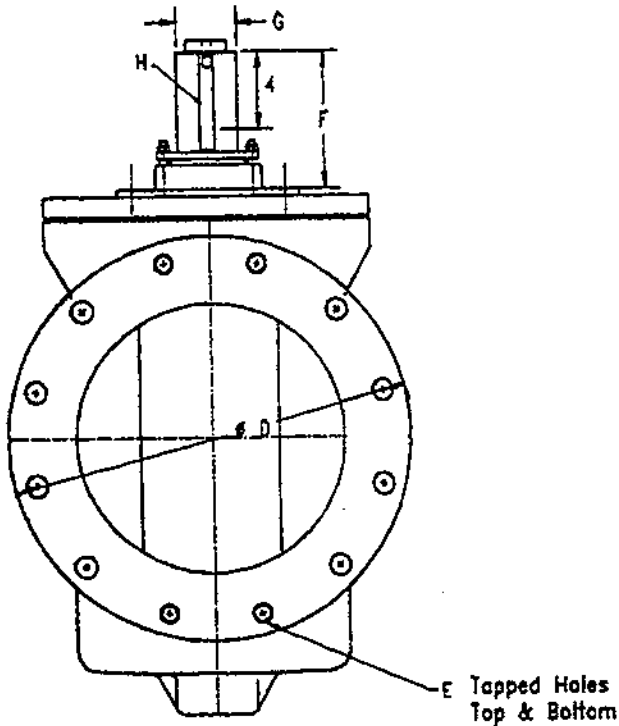
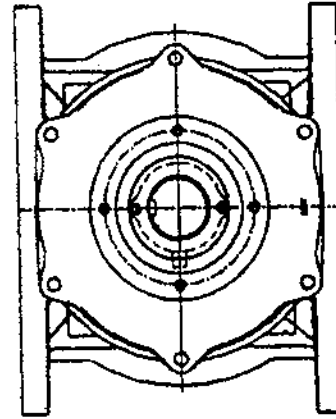
VALVE SIZE	A	B	C	D	E	F	G	H	J
3"	7 ¹ / ₂	6	8	3 ¹⁵ / ₃₂	6 ³ / ₄	11	3 ³ / ₄	4— ⁵ / ₈	0
4"	9	7 ¹ / ₂	9	4 ⁷ / ₁₆	11	16 ³ / ₈	1	8— ⁵ / ₈	4
6"	11	9	10 ¹ / ₂	6 ¹ / ₈	14 ¹ / ₂	21	1 ¹ / ₁₆	8— ³ / ₄	2
8"	13 ¹ / ₂	11 ³ / ₄	11 ¹ / ₂	7 ⁵ / ₈	16	24 ¹ / ₄	1 ¹ / ₁₆	8— ³ / ₄	4

14"-24" ECCENTRIC PLUG VALVE FLANGED ENDS – GENERAL DIMENSIONS

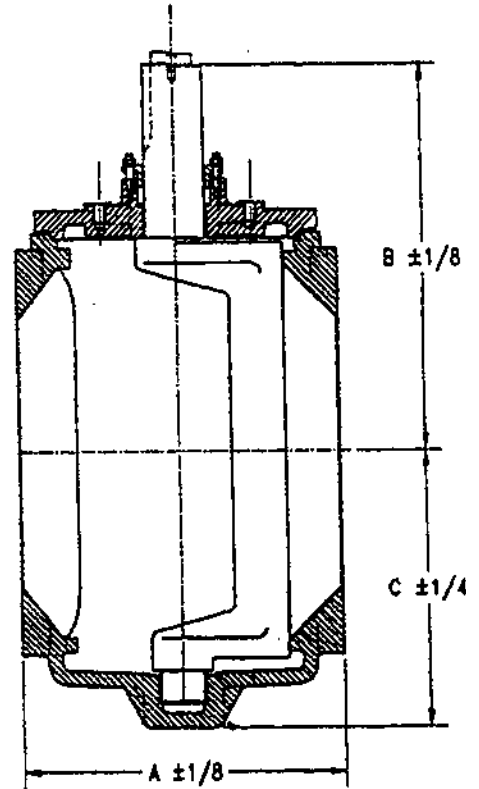
KENNEDY VALVE



Actuator Mounting Dimensions



End Flange Dimension
Conform to Ansl B16.1

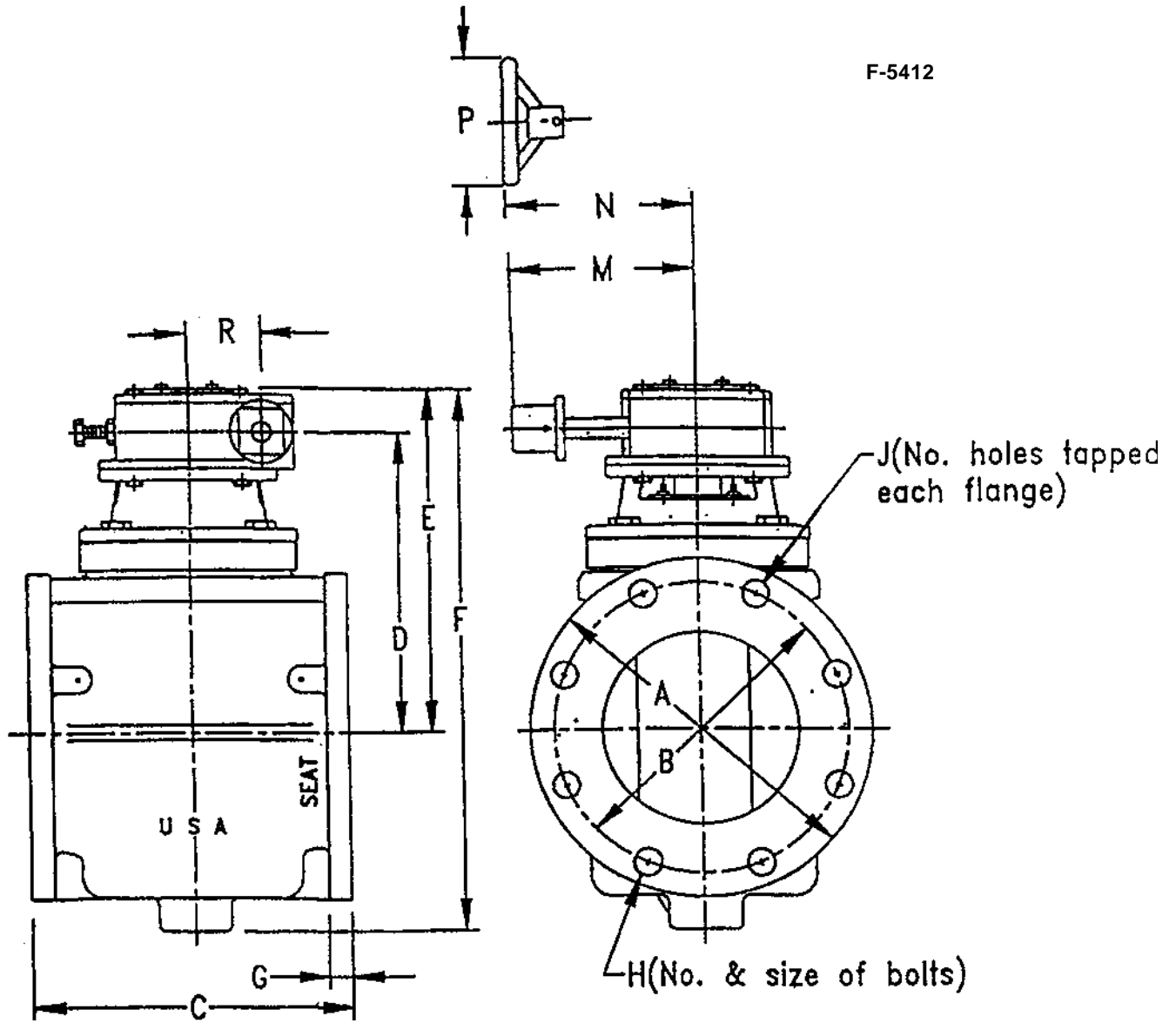


VALVE SIZE	A	B	C	D	E	F	G	H	J	K	L	M
14	17.00	19.69	14.31	21.00	4	6.81	3.121	.75 sq	9.50	8.00	5/8—11	7/8
16	17.75	20.88	15.75	23.50	6	6.81	3.121	.75 sq	9.50	8.00	5/8—11	7/8
18	21.50	22.94	17.18	25.00	8	6.81	3.121	.75 sq	9.50	8.00	5/8—11	7/8
20	23.50	24.22	20.00	27.50	8	6.81	3.121	.75 sq	9.50	8.00	5/8—11	7/8
24	30.00	25.28	22.94	32.00	8	6.81	3.750	.875 sq	11.00	9.00	3/4—10	7/8

**4"-24" ECCENTRIC PLUG VALVE
FLANGED ENDS WITH WORM GEAR –
GENERAL DIMENSIONS**

KENNEDY VALVE

F-5412



VALVE SIZE	A	B	C	D	E	F	G	H	J	M	N	P	R
4"	9	7 ¹ / ₂	9	9 ³ / ₁₆	11 ¹ / ₁₆	16 ⁷ / ₁₆	1	8— ⁵ / ₈	4	8	11	10"	3 ¹ / ₄
6"	11	9 ¹ / ₂	10 ¹ / ₂	10 ⁷ / ₈	12 ³ / ₄	19 ¹ / ₄	1 ¹ / ₁₆	8— ³ / ₄	2	8	11	10"	3 ¹ / ₄
8"	13 ¹ / ₂	11 ³ / ₄	11 ¹ / ₂	12 ³ / ₈	14 ¹ / ₄	22 ¹ / ₂	1 ³ / ₁₆	8— ³ / ₄	4	8	11	10"	3 ¹ / ₄
10"	16	14 ¹ / ₄	13	14 ¹ / ₂	16 ³ / ₈	26 ¹¹ / ₁₆	1 ¹ / ₄	12— ⁷ / ₈	4	8	11-12	10"-18"	3 ¹ / ₄
12"	19	17	14	16 ¹ / ₁₆	17 ¹⁵ / ₁₆	30	1 ¹ / ₄	12— ⁷ / ₈	4	8	11-12	10"-18"	3 ¹ / ₄
14"	21	18 ³ / ₄	17	18 ⁷ / ₈	22 ¹ / ₄	36 ⁹ / ₁₆	1 ³ / ₈	12—1	4	10	16	24"	4 ³ / ₄
16"	23 ¹ / ₂	21 ¹ / ₄	17 ³ / ₄	20 ¹ / ₁₆	23 ⁷ / ₁₆	39 ³ / ₁₆	1 ⁷ / ₁₆	16—1	6	12	18	24"	5
18"	25	22 ³ / ₄	21 ¹ / ₂	22 ¹ / ₈	25 ¹ / ₂	42 ¹¹ / ₁₆	1 ⁹ / ₁₆	16—1 ¹ / ₈	8	12	18	24"	5
20"	27 ¹ / ₂	25	23 ¹ / ₂	23 ⁷ / ₁₆	26 ¹³ / ₁₆	46 ¹³ / ₁₆	1 ¹³ / ₁₆	20—1 ¹ / ₈	8	12	18	24"	5
24"	32	29 ¹ / ₂	30	25 ¹ / ₁₆	28 ⁷ / ₁₆	51 ³ / ₈	1 ⁷ / ₈	20—1 ¹ / ₄	8	12	18	24"	5