

ECCENTRIC PLUG VALVES

KENNEDY VALVE

Size Range	3"-24"	
Size Range	Water Working	Hydrostatic
Size Range	Pressure psi	Test psi
3"-12"	175	350
14"-24"	150	300

Available End Connections & Size Range

Figure No.

Flanged	3"-24"	F-5412
M.J.	3"-24"	F-5413
Grooved	3"-16"	F-5414
Flanged-Full Port	3"-12"	2725

Accessories

Floorstands	Electric Motor Actuators
Extension Stems	Cylinder Actuators
Extended Bonnets	Limit Switches
2" Sq. Operating Nuts	Stem Guides
Handwheels	Floor Boxes
Lever Wrench Head (3"-8")	"T" Handles
Chainwheels	Chainlevers (3"-8")
Worm Gear Actuators	

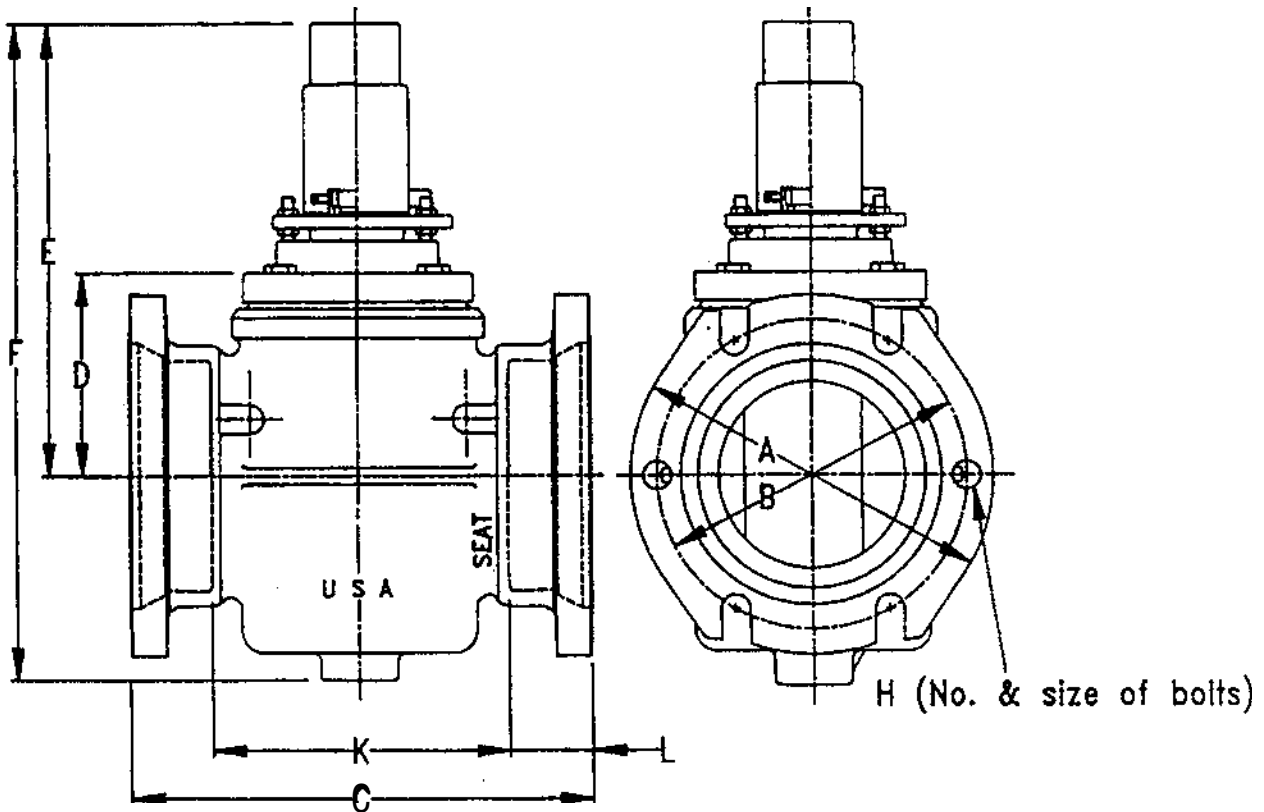
***Note: Call Factory For Special Applications**

Valves 3" through 8" are available with lever actuators. Geared actuators are recommended on 6" and larger valves. It is also recommended that valves installed in pipelines with high velocity or where water hammer conditions can be caused by sudden valve shut-off that geared actuators be installed. Lever actuators can only be used for pressure ratings of 100 psi maximum and 25 psi in the reverse flow condition.

3"-8" ECCENTRIC PLUG VALVE SMJ ENDS – GENERAL DIMENSIONS

KENNEDY VALVE

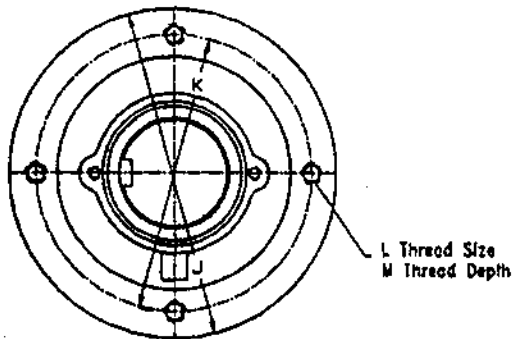
F-5413



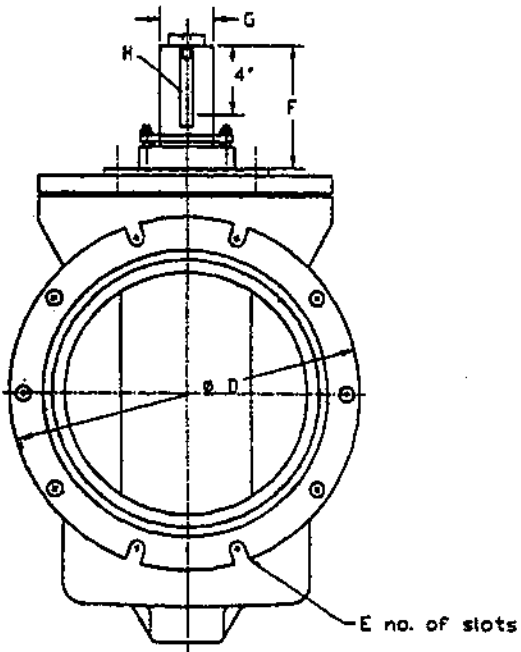
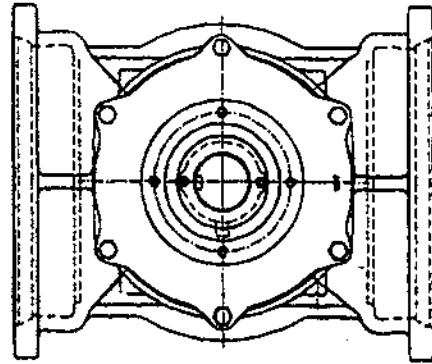
VALVE SIZE	A	B	C	D	E	F	H	K	L
3"	7 ⁵ / ₈	6 ³ / ₁₆	11 ⁷ / ₈	3 ¹⁵ / ₃₂	6 ³ / ₄	11	4 ⁻³ / ₄	6 ⁷ / ₈	2 ¹ / ₂
4"	9 ¹ / ₈	7 ¹ / ₂	12 ¹ / ₄	4 ⁷ / ₁₆	11	16 ³ / ₈	4 ⁻³ / ₄	7 ¹ / ₄	2 ¹ / ₂
6"	11 ¹ / ₈	9 ¹ / ₂	14 ¹ / ₈	6 ¹ / ₈	14 ¹ / ₂	21	6 ⁻³ / ₄	9 ¹ / ₈	2 ¹ / ₂
8"	13 ³ / ₄	11 ³ / ₄	17 ¹ / ₂	7 ⁵ / ₈	16	24 ¹ / ₄	6 ⁻³ / ₄	12 ¹ / ₂	2 ¹ / ₂

14"-24" ECCENTRIC PLUG VALVE SMJ ENDS – GENERAL DIMENSIONS

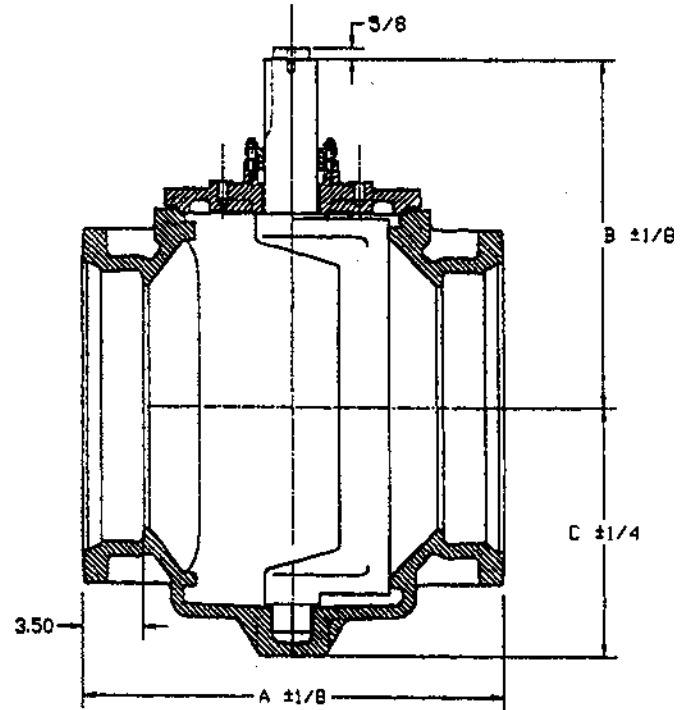
KENNEDY VALVE



Actuator Mounting Dimensions



SMJ Flange Dimension
Conform to Ansl 21.11/AWWA C111

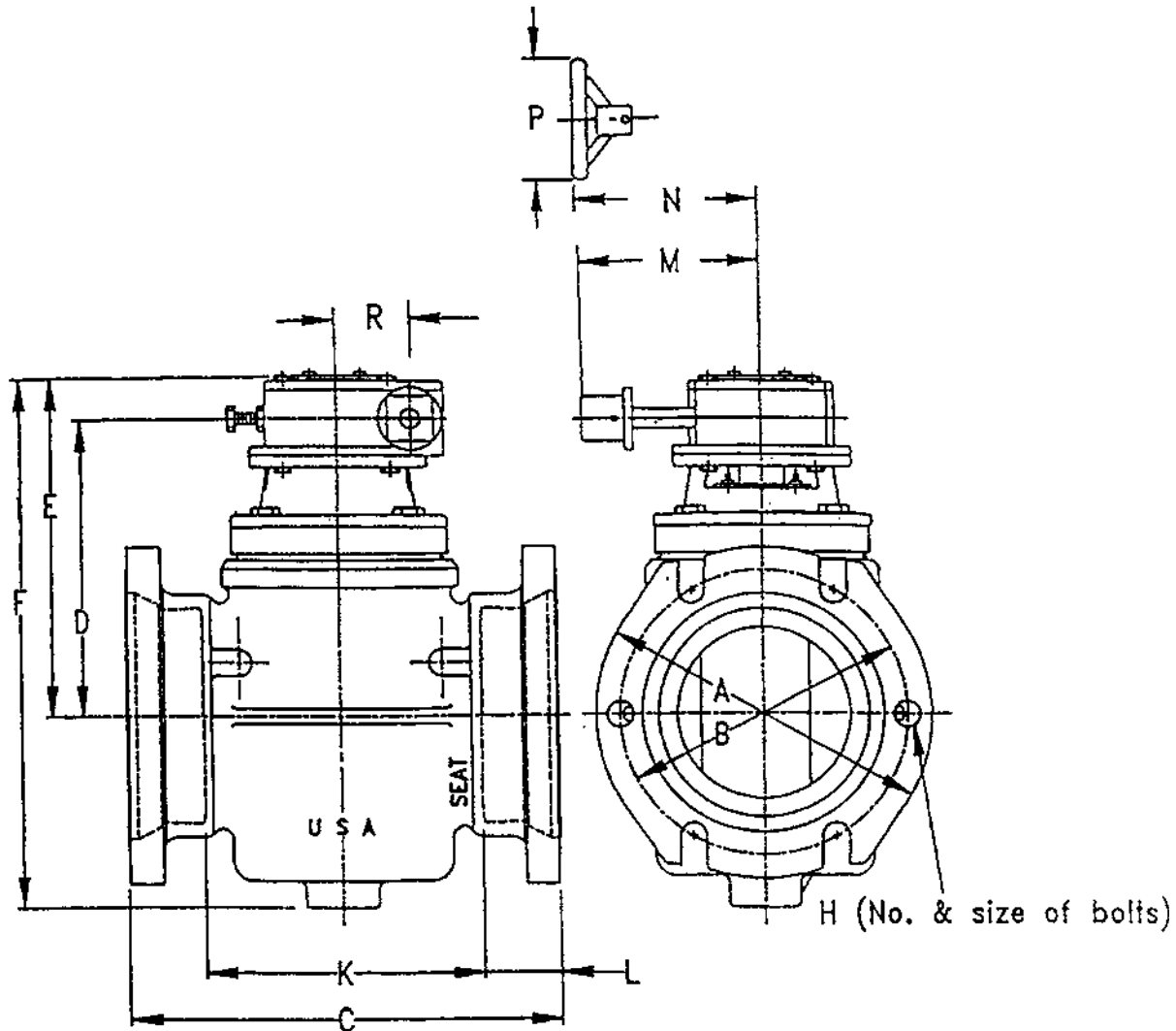


VALVE SIZE	A	B	C	D	E	F	G	H	J	K	L	M
14	24.50	19.69	14.31	20.31	4	6.81	3.121	.75 sq	9.50	8.00	5/8—11	7/8
16	24.75	20.88	15.75	22.50	4	6.81	3.121	.75 sq	9.50	8.00	5/8—11	7/8
18	28.63	22.94	17.18	24.75	4	6.81	3.121	.75 sq	9.50	8.00	5/8—11	7/8
20	30.75	24.22	20.00	27.00	2	6.81	3.121	.75 sq	9.50	8.00	5/8—11	7/8
24	37.00	25.28	22.94	31.50	2	6.81	3.750	.875 sq	11.00	9.00	3/4—10	7/8

**4"-24" ECCENTRIC PLUG VALVE
SMJ ENDS WITH WORM GEAR –
GENERAL DIMENSIONS**

KENNEDY VALVE

F-5413



VALVE SIZE	A	B	C	D	E	F	H	K	L	M	R
4"	9 ¹ / ₈	7 ¹ / ₂	12 ¹ / ₄	9 ³ / ₁₆	11 ¹ / ₁₆	16 ⁷ / ₁₆	4— ³ / ₄	7 ¹ / ₄	2 ¹ / ₂	8	3 ¹ / ₄
6"	11 ¹ / ₈	9 ¹ / ₂	14 ¹ / ₈	10 ⁷ / ₈	12 ³ / ₄	19 ¹ / ₄	6— ³ / ₄	9 ¹ / ₈	2 ¹ / ₂	8	3 ¹ / ₄
8"	13 ³ / ₄	11 ³ / ₄	11 ¹ / ₂	12 ³ / ₈	14 ¹ / ₄	22 ¹ / ₂	6— ³ / ₄	12 ¹ / ₂	2 ¹ / ₂	8	3 ¹ / ₄
10"	15 ³ / ₄	14	19 ³ / ₈	14 ¹ / ₂	16 ³ / ₈	26 ¹¹ / ₁₆	8— ³ / ₄	14 ³ / ₈	2 ¹ / ₂	8	3 ¹ / ₄
12"	18	16 ¹ / ₄	20 ³ / ₄	16 ¹ / ₁₆	17 ¹⁵ / ₁₆	30	8— ³ / ₄	15 ³ / ₄	2 ¹ / ₂	8	3 ¹ / ₄
14"	20 ⁵ / ₁₆	18 ³ / ₄	24 ¹ / ₂	18 ⁷ / ₈	22 ¹ / ₄	36 ⁹ / ₁₆	10— ³ / ₄	17 ¹ / ₂	3 ¹ / ₂	10	4 ³ / ₄
16"	22 ¹ / ₂	21	24 ³ / ₄	20 ¹ / ₁₆	23 ⁷ / ₁₆	39 ³ / ₁₆	12— ³ / ₄	17 ³ / ₄	3 ¹ / ₂	12	5
18"	24 ³ / ₄	23 ¹ / ₂	28 ⁵ / ₈	22 ¹ / ₈	25 ¹ / ₂	42 ¹¹ / ₁₆	12— ³ / ₄	21 ⁵ / ₈	3 ¹ / ₂	12	5
20"	27	25 ¹ / ₂	30 ³ / ₄	23 ⁷ / ₁₆	26 ¹³ / ₁₆	46 ¹³ / ₁₆	14— ³ / ₄	23 ³ / ₄	3 ¹ / ₂	12	5
24"	31 ¹ / ₂	30	37	25 ¹ / ₁₆	28 ⁷ / ₁₆	51 ³ / ₈	16— ³ / ₄	30	3 ¹ / ₂	12	5