

CLOW CANADA

600mm R/W GV MJ END R.T.S. BEVEL GEAR
GENERAL DIMENSIONS

PROJECT

OWNER

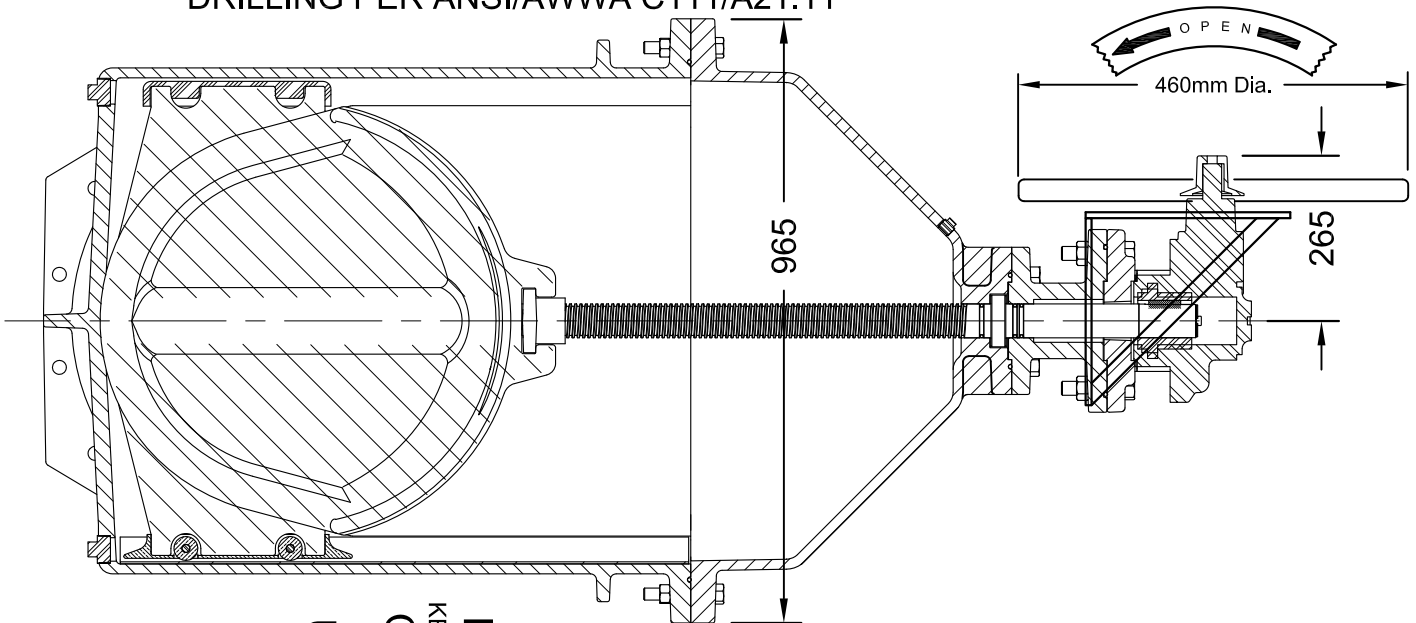
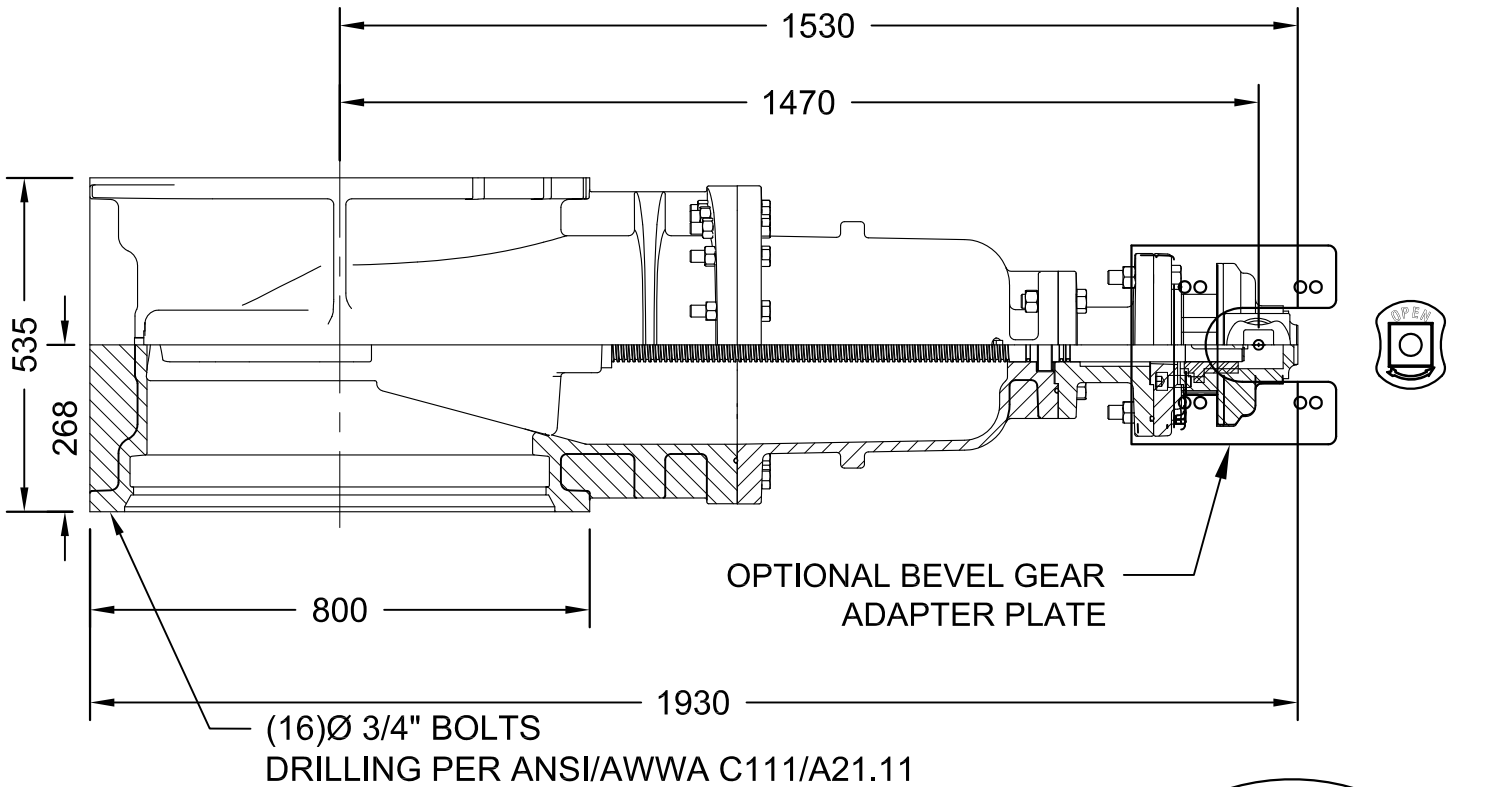
CONTRACTOR

DISTRIBUTOR

CONSULTANT

CLOW FIGURE NUMBER F-6100-BG

CLOW MODEL 2638 AWWA C515
REDUCED WALL DUCTILE IRON



24
CLOW
2638
M&H
KENNEDY
C515
DI
USA
A
W
W
A
W
250
W

NUMBER of TURNS W/ GEAR	WEIGHT W/2" NUT	WEIGHT W/HW	WEIGHT W/BG ADAPT. PLATE
228	1732 lbs	1750 lbs	1760 lbs

ALL DIMENSIONS IN MILLIMETERS