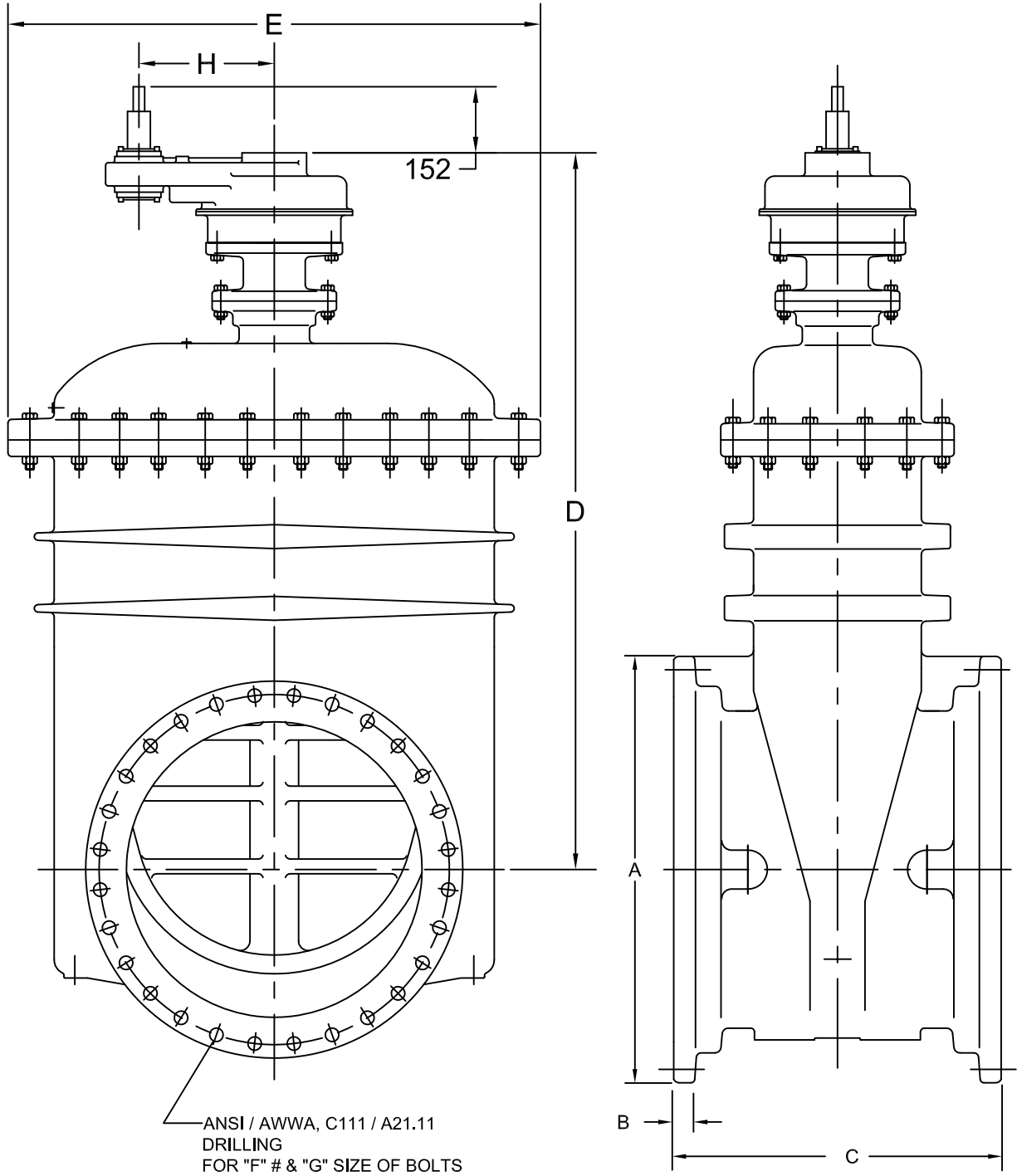


PROJECT
OWNER
CONTRACTOR
DISTRIBUTOR
CONSULTANT

750 - 1200 R/W VALVE MJ ENDS  
 SPUR GEAR GENERAL DIMENSIONS  
 MODEL F6106SG  
 FUSION EPOXY - NSF 61 AND AWWA C550

**CLOW CANADA**

**COMPLIES WITH AWWA C515**



VALVE SIZE	A	B	C	D	E	F	G	H
750	1003	43	902	1880	1390	20	1"	356
900	1181	51	984	2126	1493	24	1"	356
1050	1372	51	990	2604	1981	28	1 ¼"	406
1200	1543	51	1067	2680	1981	32	1 ¼"	406