

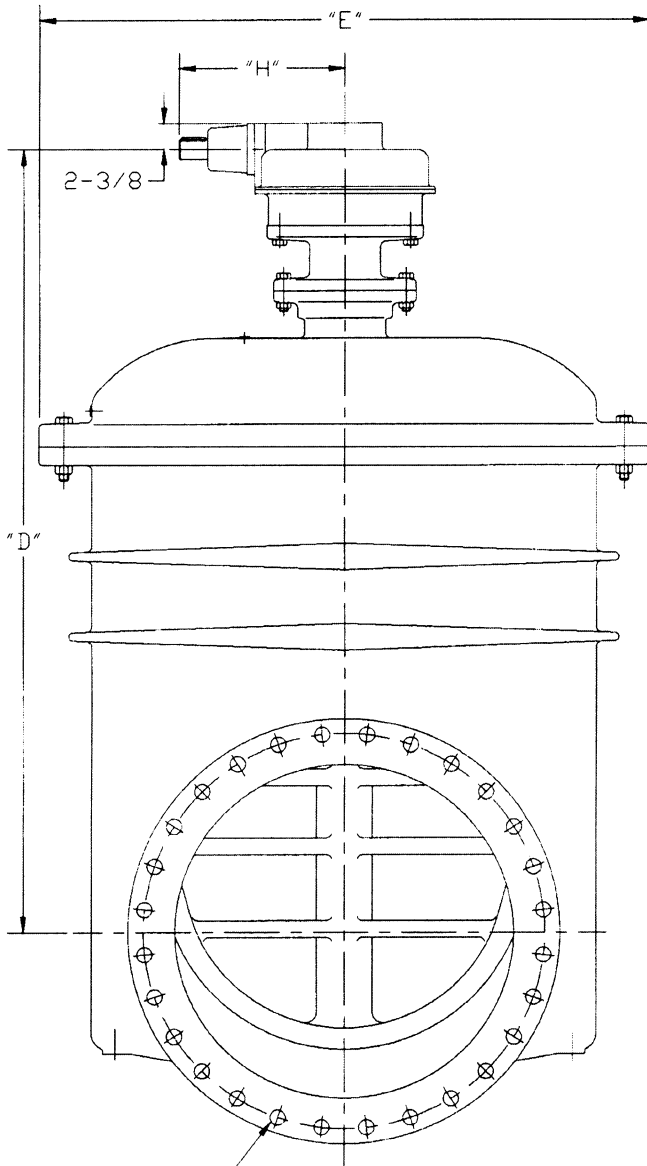
2638-54
F 10/10

Complies with applicable requirements of AWWA C515

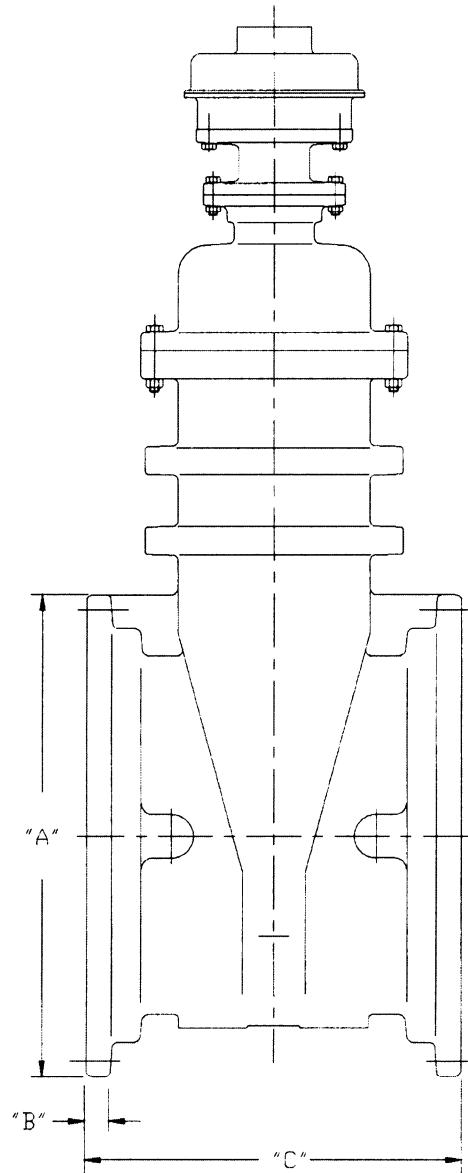
30"-48" R/W VALVE MECH. JOINT ENDS
BEVEL GEAR GENERAL DIMENSIONS

CLOW VALVE COMPANY

MODEL 2638



ANSI/AWWA C111/A21.11 Drilling for "F" # & "G" Size Bolts



Valve Size	"A"	"B"	"C"	"D"	"E"	"F"	"G"	"H"
30"	39-1/2	1-11/16	35-1/2	71-3/8	54-3/4	20	1"	14-7/8
36"	46-1/2	2	38-3/4	81-1/16	58-7/8	24	1"	14-7/8
42"	54	2	39	98-3/8	78	28	1-1/4	17
48"	60-3/4	2	42	101-3/8	78	32	1-1/4	17