

PROJECT

OWNER

CONTRACTOR

DISTRIBUTOR

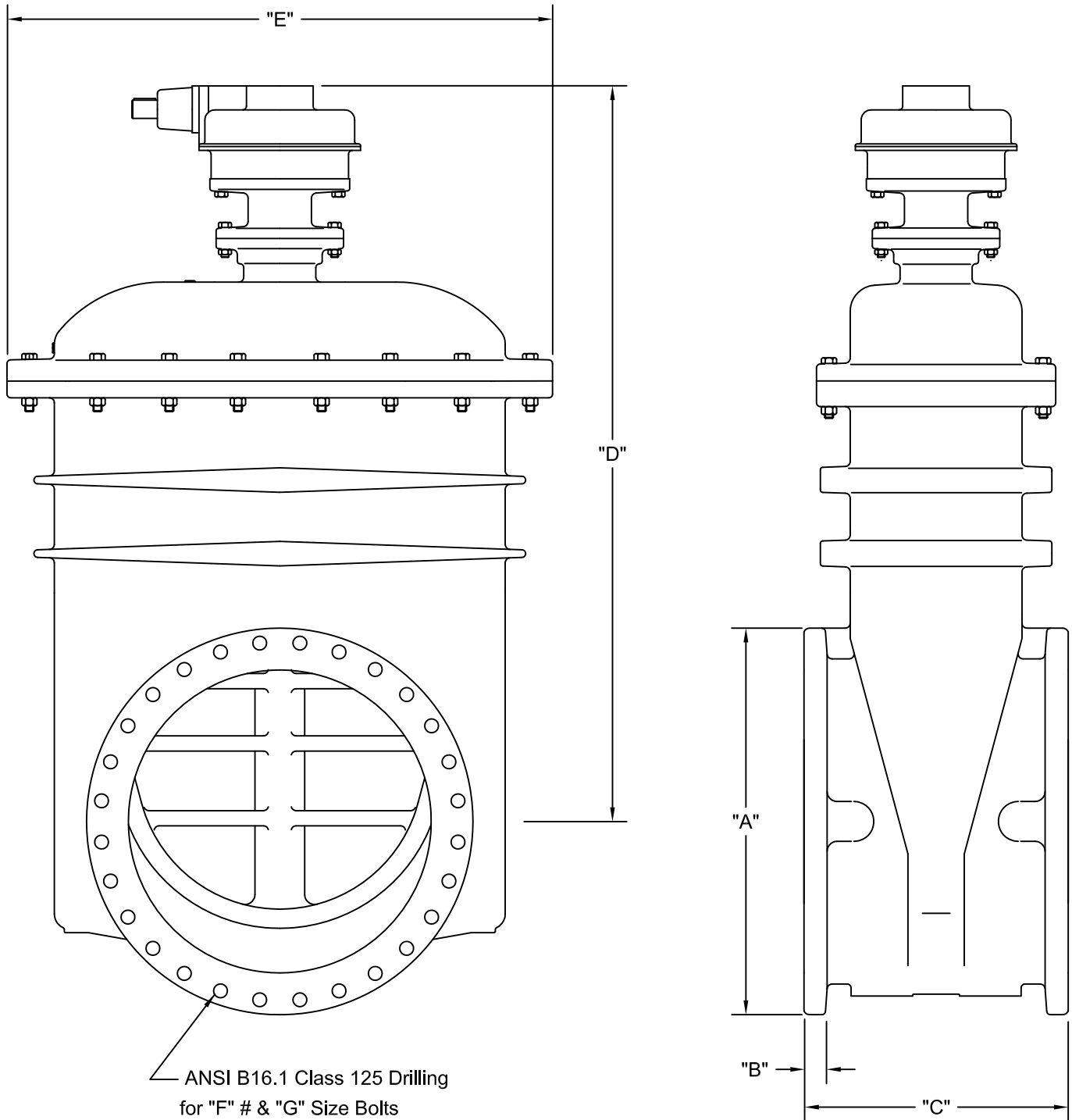
CONSULTANT

750 - 1200 R/W VALVE FLANGED ENDS
GENERAL DIMENSIONS

F6102BG

CLOW CANADA

FUSION EPOXY - NSF 61 AND AWWA C550



METRIC DIMENSIONS

Valve Size	"A"	"B"	"C"	"D"	"E"	"F"	"G"
750 mm	980	54	670	1870	1390	28	1-1/4"
900 mm	1170	60	780	2120	1495	32	1-1/2"
1050 mm	1350	67	910	2560	1900	36	1-5/8"
1200 mm	1500	70	900	2635	1900	44	1-1/2"