

# CLOW CANADA

PROJECT

OWNER

CONTRACTOR

DISTRIBUTOR

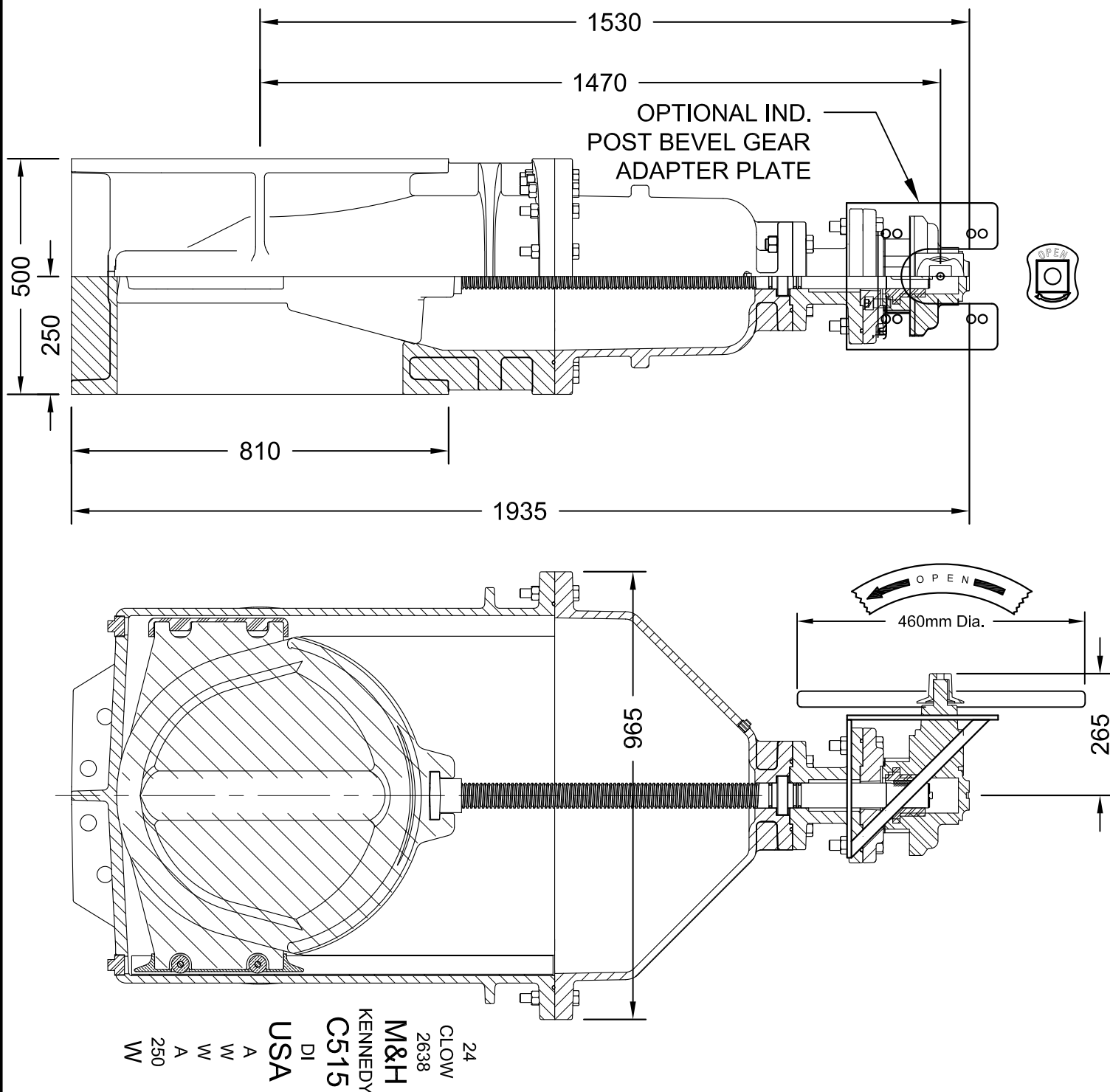
CONSULTANT

600mm R/W GV FLG END R.T.S.  
BEVEL GEAR

GENERAL DIMENSIONS

CLOW FIGURE NUMBER F-6102-BG

CLOW MODEL 2638 AWWA C515  
REDUCED WALL DUCTILE IRON



NUMBER of TURNS W/ GEAR	WEIGHT W/2" NUT	WEIGHT W/HW	WEIGHT W/BG ADAPT. PLATE
228	1732 lbs	1750 lbs	1760 lbs

ALL DIMENSIONS IN MILLIMETERS