

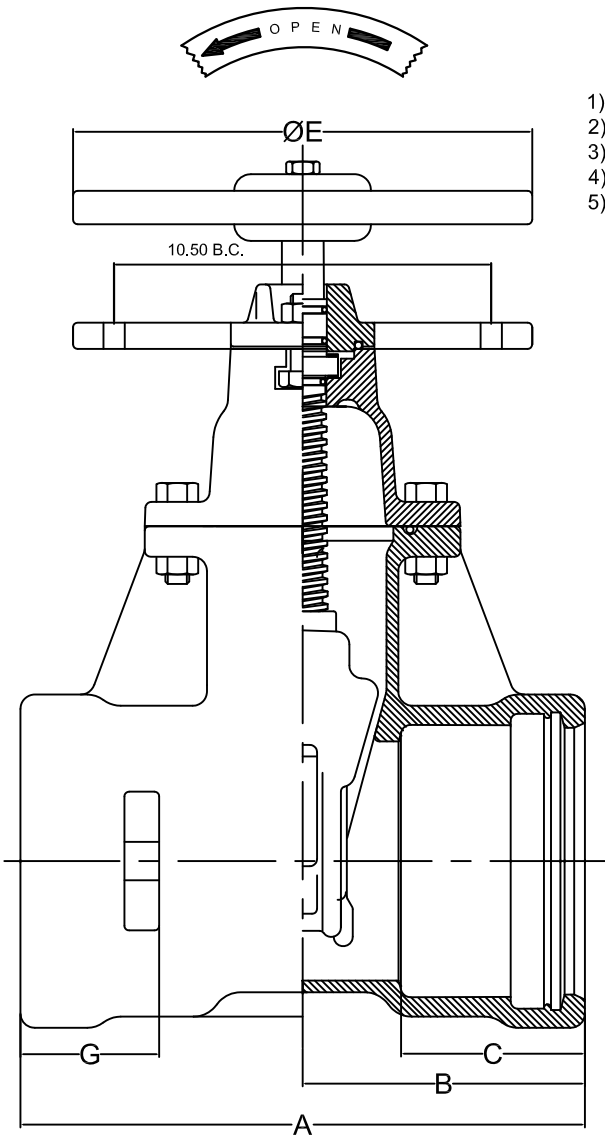
# CLOW CANADA

PROJECT  
OWNER  
CONTRACTOR  
DISTRIBUTOR  
CONSULTANT

## 350mm - 400mm R/W VALVE TYTON END GENERAL DIMENSIONS

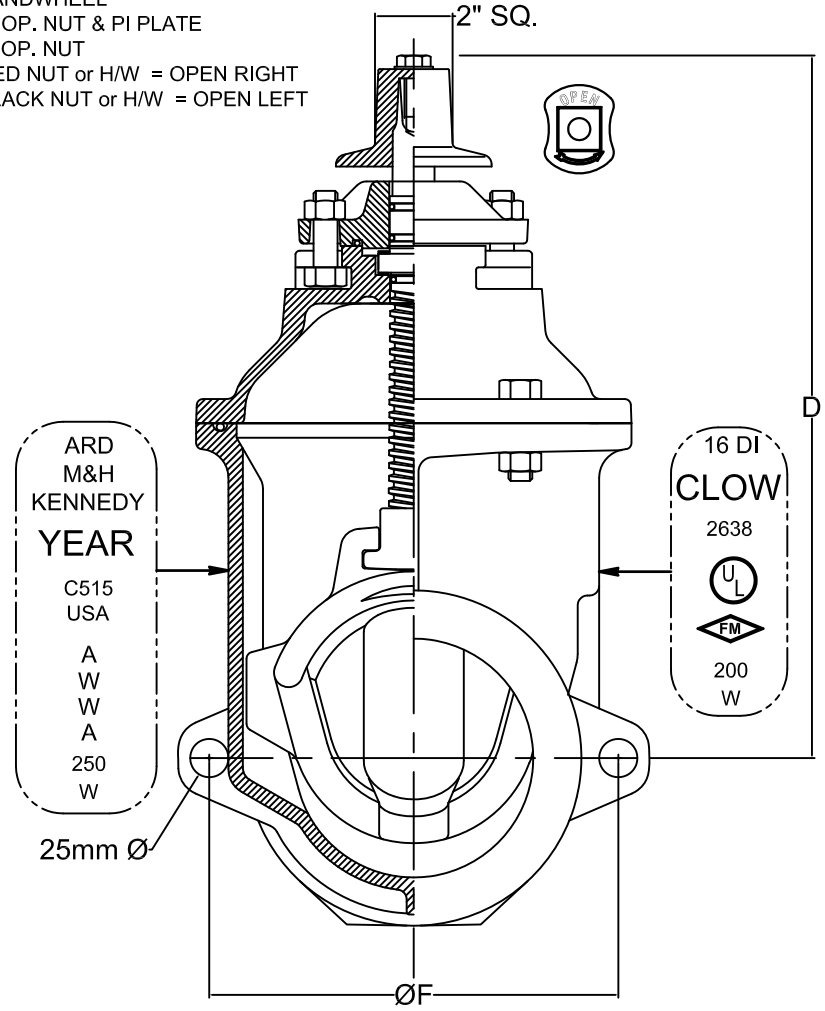
CLOW FIGURE NUMBER F-6112

CLOW MODEL 2638 AWWA C515  
REDUCED WALL DUCTILE IRON



### OPTIONAL

- 1) HANDWHEEL
- 2) 2" OP. NUT & PI PLATE
- 3) 2" OP. NUT
- 4) RED NUT or H/W = OPEN RIGHT
- 5) BLACK NUT or H/W = OPEN LEFT



TYTON ENDS PER ANSI / AWWA C111 / A21.11



350mm & 400mm TYTON VALVE METRIC DIMENSIONS											
VALVE SIZE	A	B	C	D	E	F	G	WEIGHT W/2" NUT	WEIGHT W/HW	WEIGHT PI PLATE	NUMBER of TURNS
350	533	267	127	984	660	566	64	716 lbs	735 lbs	732 lbs	52
400	611	306	172	959	660	570	64	726 lbs	745 lbs	742 lbs	52