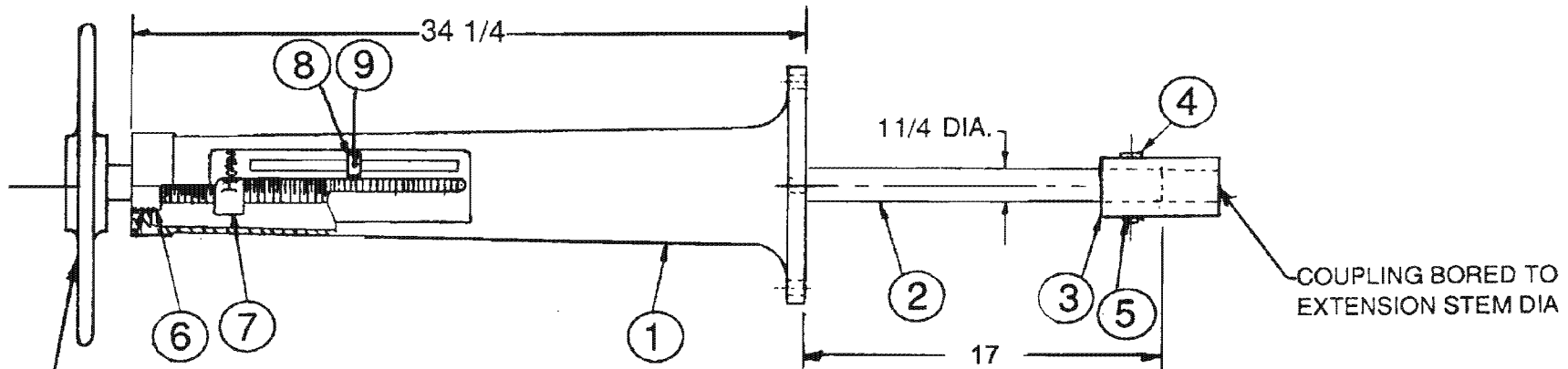


**Parts List**

Item	Description	Required	Material
1	Floor Stand	1	Cast Iron
2	Stem	1	Steel
3	Coupling	1	Cast Iron
4	Bolt	1	Steel
5	Nut	1	Steel
6	Bushing	1	Bronze
7	Indicator Nut	1	Bronze
8	Closed Tag	1	Aluminum
9	Drive Screw	1	Steel



HAND WHEEL FURNISHED OR  
2" SQ. NUT WHEN REQUESTED

**NOTES**

POINTER TRAVELS 1" WITH 6 TURNS OF HAND WHEEL  
84 TURNS TO OPEN STANDARD  
144 & 288 TURNS ALSO AVAILABLE

MATERIAL:	<b>NON-RISING UNIVERSAL INDICATING FLOOR STAND</b>
DATE:	
<b>TROY VALVE</b> Troy, PA	NO. <b>A-25655</b>