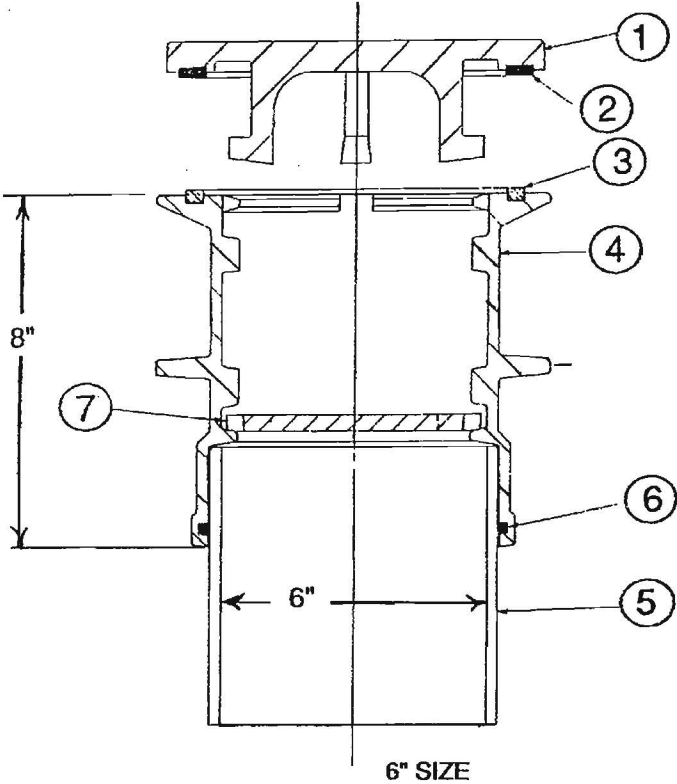
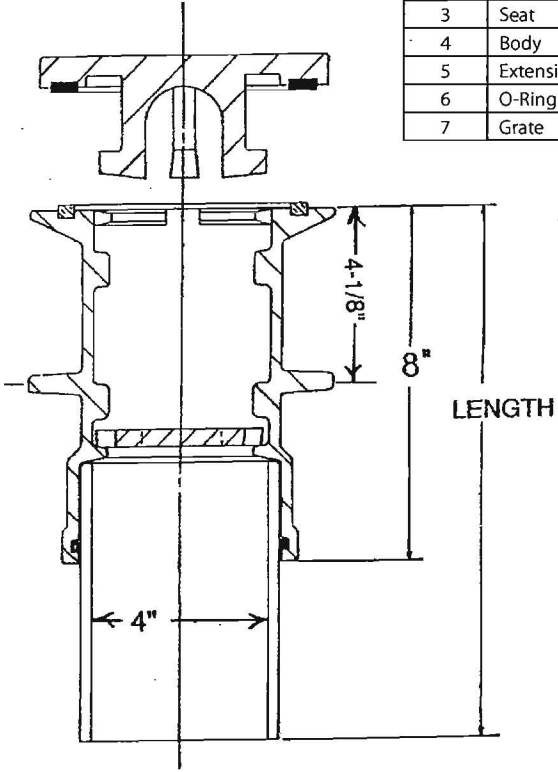


Parts List

Item	Description	Material	
1	Cover	Cast Iron	A126B
2	Seal	BUNA-N	50 DUR
3	Seat	Bronze	SAE660
4	Body	Cast Iron	A126B
5	Extension	P.V.C.	C900
6	O-Ring	BUNA-N	60 DUR
7	Grate	Cast Iron	A126B



6" SIZE



4" SIZE

NOTE:
 #6, P.V.C. PIPE IS NOT SUPPLIED ON 8" LENGTH
 #3, BRONZE SEAT IS PRESSED & SEALED INTO GROOVE.
 #7, GRATE SHOWN 45° OUT OF POSITION, SLOTS LINE UP W/ RIBS TO ASSEMBLE ONLY

MATERIAL:	FLOOR RELIEF VALVE ASSEMBLY
DATE:	
TROY VALVE Troy, PA	NO. A-2550RSN