



**KENNEDY VALVE KS-FW
RESILIENT
WEDGE VALVES**

KENNEDY VALVE

**KENNEDY VALVE AWWA C509 Resilient Wedge Gate Valves
Meet or Exceed the Requirements of
AWWA Standard C509
UL-262/FM-1120/1130
ULC-Underwriters' of Canada**

Size Range	Water Working Pressure psi	Seat Test psi	Hydrostatic Shell Test psi
AWWA 2"-12"	250 Water Works	250 & 400	500
ULFM 2"-12"	200 Fire Protection	250 & 400	500

Available in either non-rising stem or outside screw & yoke.

Available End Connections & Size Range	Figure No.	Figure No. with (STD)	Post Plate
Flg. End (NRS)	2" - 12"	8561ASS	8701ASS(3"-12")
M.J.	2" - 12" (except 2 1/2")	8571SS	8071SS(3"-12")
Flg. & M.J.	3" - 12"	8572SS	8702SS(3"-12")
Push-on for PVC (SDR)	2" - 8"	8597SS	8597PSS(3"-8")
Flg. End (OS & Y)	2" - 12"	8068A	N/A
M.J. for Tapping	4" - 12"	8950SS	8950PSS
Push-on for D.I. & C900 PVC	4" - 12"	8901SS	8901PSS
M.J. Cutting-in	4" - 12"	8576SS	8576PSS
Push-on D.I. X Flg.	4" - 12"	8902SS	8902PSS
Threaded	2" - 3"	8057SS	8057PSS(3"only)
Threaded (OS&Y)	2" - 3"	8067SS	N/A

Accessories

- | | |
|-------------------------------|-----------------|
| Indicator Posts | Handwheels |
| "T" Handles | Extension Stems |
| Stem Guides | Floor Boxes |
| 2" Sq. Operating Nuts | Chain Wheels |
| Floorstands (non-rising stem) | |

NOTE: 2" OS&Y Flanged and Threaded versions are UL Listed



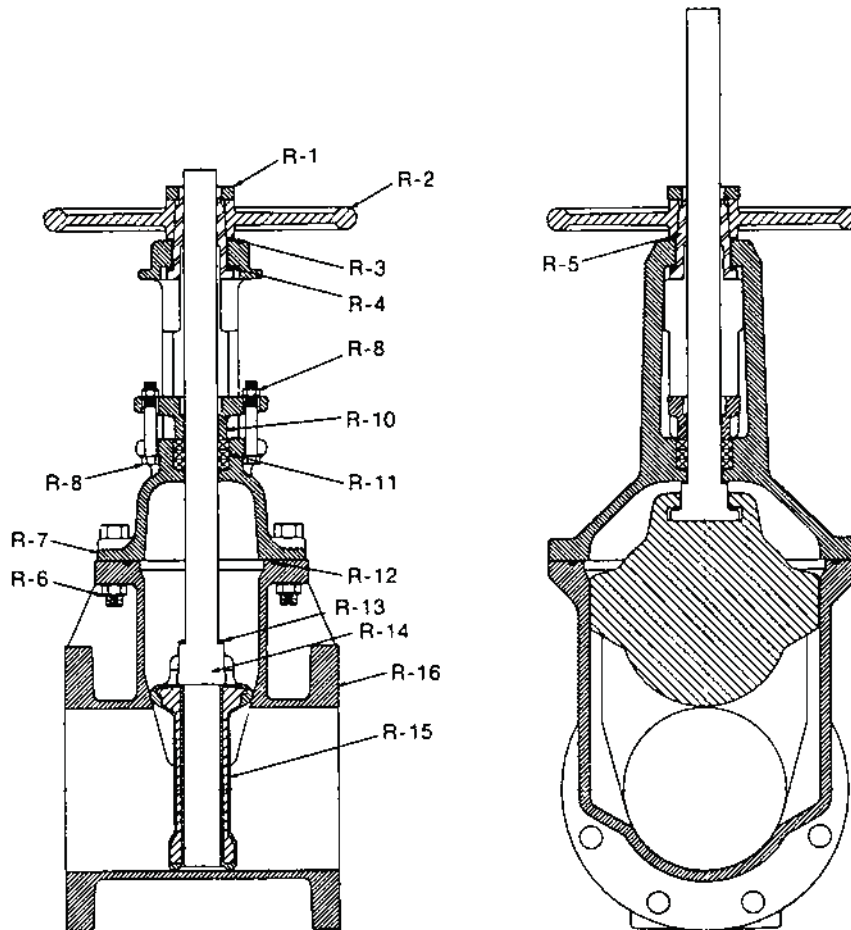
Sizes 2" - 12"



**2"-12" R/S VALVE
OS&Y MATERIAL LIST**

KENNEDY VALVE MODEL KS-FW

Complies with applicable requirements of AWWA C509



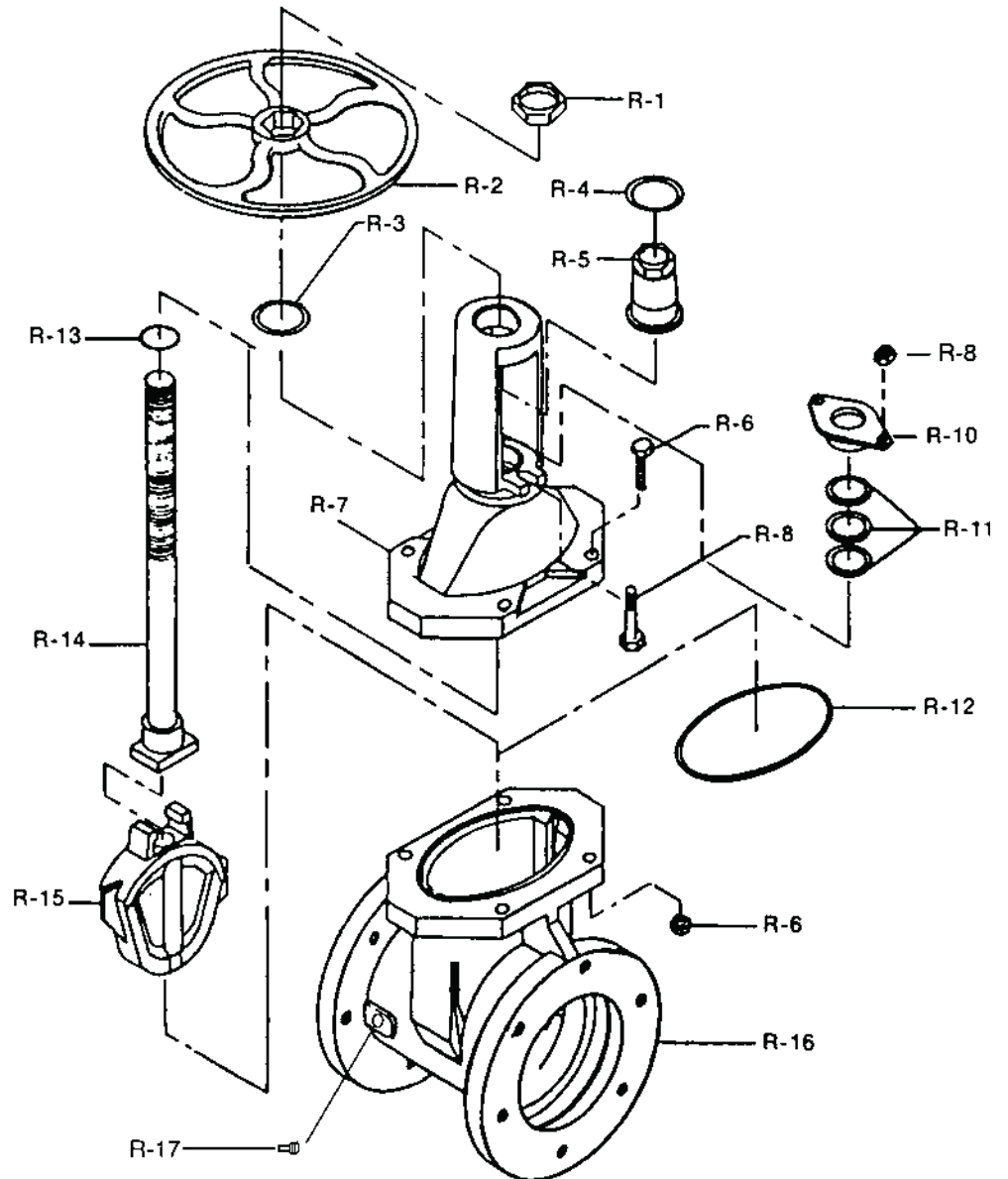
PIPE PLUG STANDARD ON FLANGE & GROOVE VALVES @ POSITION "A"

DET.	NAME OF PART	MATERIAL	ASTM SPEC.
R-1	Handwheel Nut	Bronze (AWWA Grade A)	ASTM B584 C84400
R-2	Handwheel	Cast Iron	ASTM A126 Class B
R-3	Upper Thrust Washer	Brass	ASTM B36 C26000
R-4	Lower Thrust Washer	Nylatron	-----
R-5	Yoke Nut	Bronze	ASTM B584 C86700
R-6	Hex. Head Cover Bolts & Nuts	Zinc Plated Steel	ASTM A307/A563
R-7	Cover	Cast Iron	ASTM A126 Class B
R-8	Packing Bolts	Zinc Plated Steel	ASTM A307
R-8	Packing Bolt Nuts	Brass	ASTM F467
R-10	Packing Gland	Ductile Iron	ASTM A536 Grade 70-50-5
R-11	Packing	Sq. Braided Non-Asbestos	-----
R-12	O-Ring (Cover)	Buna - N	-----
R-13	O-Ring (Stem)	Buna - N	-----
R-14	Stem	Stainless Steel	ASTM A276 Type 304
R-15	Wedge (EPDM Encapsulated)	Ductile Iron	ASTM A536 Grade 70-50-5
R-16	Body (All Types)	Cast Iron	ASTM 126 Class B
R-17	Pipe Plug: 1/2"; 2 1/2"-4"--3/4"; 6'-12"	Galvanized Steel	-----

2" - 12" R/S GATE VALVE OS&Y ASSEMBLY EXPLOSION

KENNEDY VALVE MODEL KS-FW

DET.	QTY.	DESCRIPTION	MATERIALS
R-1	1	Handwheel Hold Down Nut	Bronze
R-2	1	Handwheel	Cast Iron
R-3	1	Upper Thrust Washer (Sizes 3" thru 12")	Bronze
R-4	1	Lower Thrust Washer	Bronze
R-5	1	Yoke Nut	Bronze
R-6	4	Cover Bolts & Nuts (Sizes 2-1/2" thru 6")	Zinc Plated Steel
R-6	8	Cover Bolts & Nuts (Sizes 8" thru 12")	Zinc Plated Steel
R-7	1	Cover	Cast Iron
R-8	2	Packing Bolts	Zinc Plated Steel
R-8	2	Packing Bolt Nuts	Brass
R-10	1	Packing Gland	Ductile Iron
R-11		Packing	Sq. Braided Polymer
R-12	1	O-Ring (Cover)	Buna-N
R-13	1	O-Ring (Stem)	Buna-N
R-14	1	Stem	Stainless
R-15	1	Wedge Disc	D.I. - EPDM Coated
R-16	1	Body	Cast Iron
R-17	1	Pipe Plug	Galvanized Steel





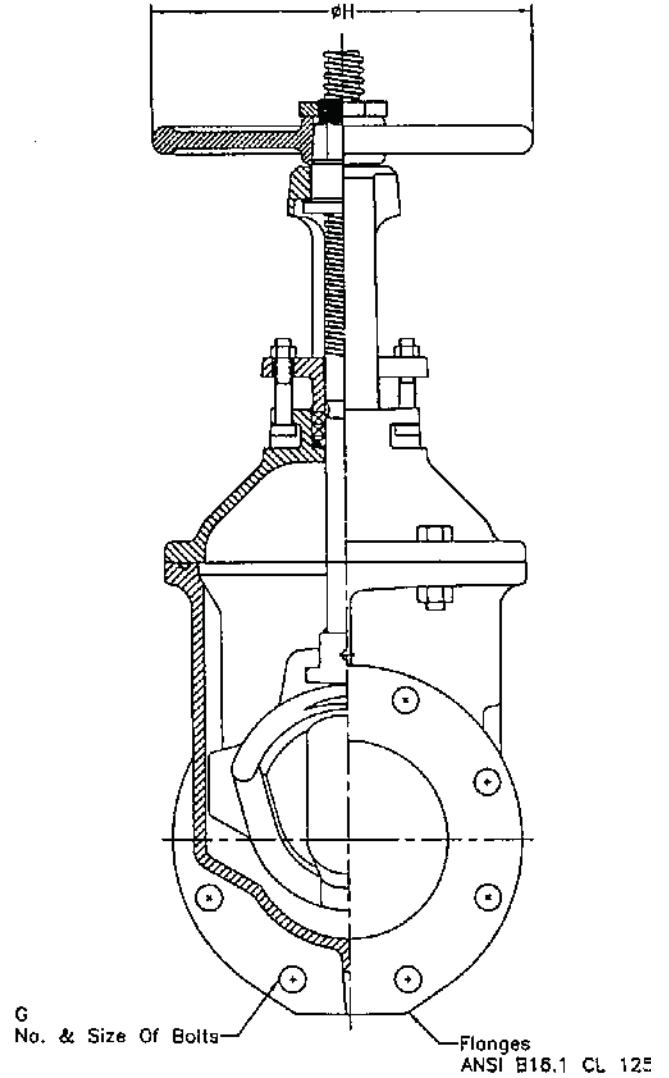
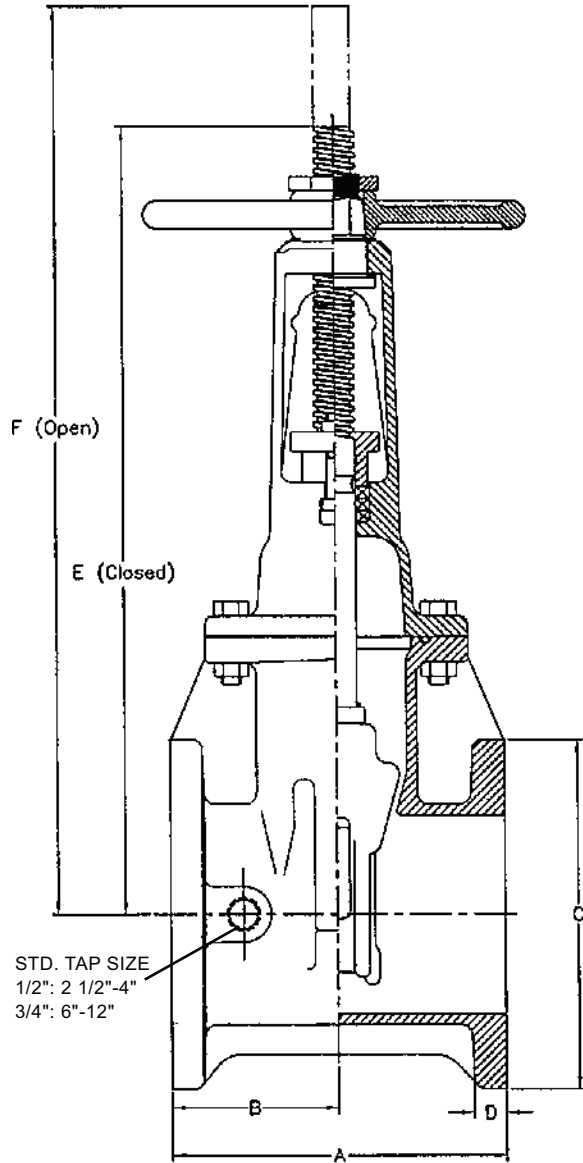
**2" - 12" R/S VALVE FLANGE ENDS
OS&Y GENERAL DIMENSIONS**

KENNEDY VALVE MODEL KS-FW

Complies with applicable requirements of AWWA C509

8068A

*Face to face dimensions (inch) conform to ASME B16.10



VALVE SIZE	* A	B	C	D	E	F	G	H	WEIGHT
2	7	3 1/2	6	5/8	12	10	4 5/8	7 1/4	N/A
2 1/2	7 1/2	3 3/4	7	11/16	13 7/8	16 3/8	4 5/8	7 1/4	51
3	8	4	7 1/2	3/4	15 5/8	18 7/8	4 5/8	10	64
4	9	4 1/2	9	15/16	18 1/4	22 3/4	8 5/8	10	105
6	10 1/2	5 1/4	11	1	23 3/4	30 1/8	8 3/4	12	152
8	11 1/2	5 3/4	13 1/2	1 1/8	29 1/4	37 3/4	8 3/4	14	253
10	13	6 1/2	16	1 3/16	35 3/8	45 3/4	12 7/8	18	427
12	14	7	19	1 1/4	40 5/8	53 1/8	12 7/8	18	581

ALL FLANGE VALVES TAPPED & PLUGGED @ POSITION "A"

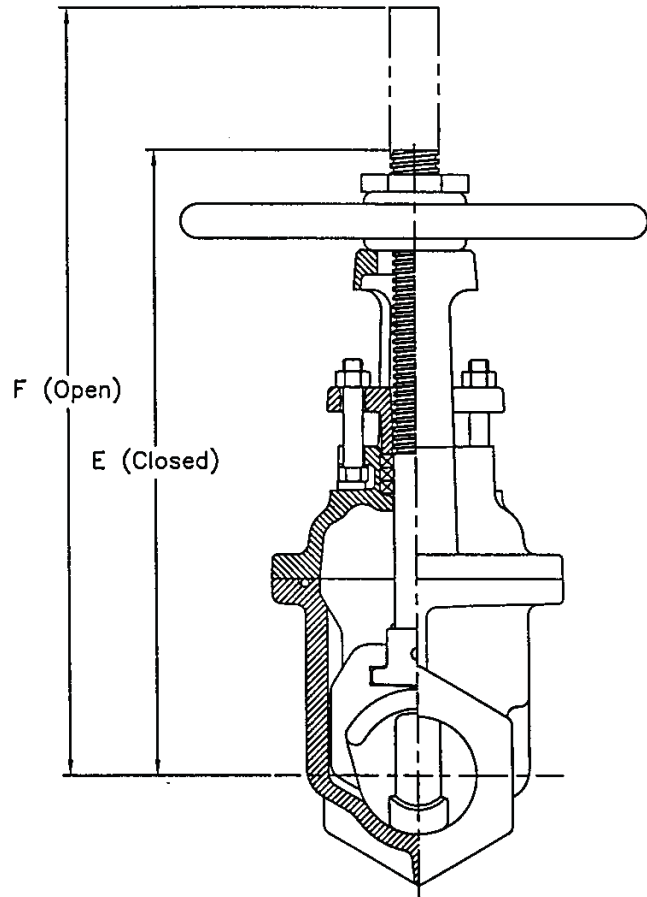
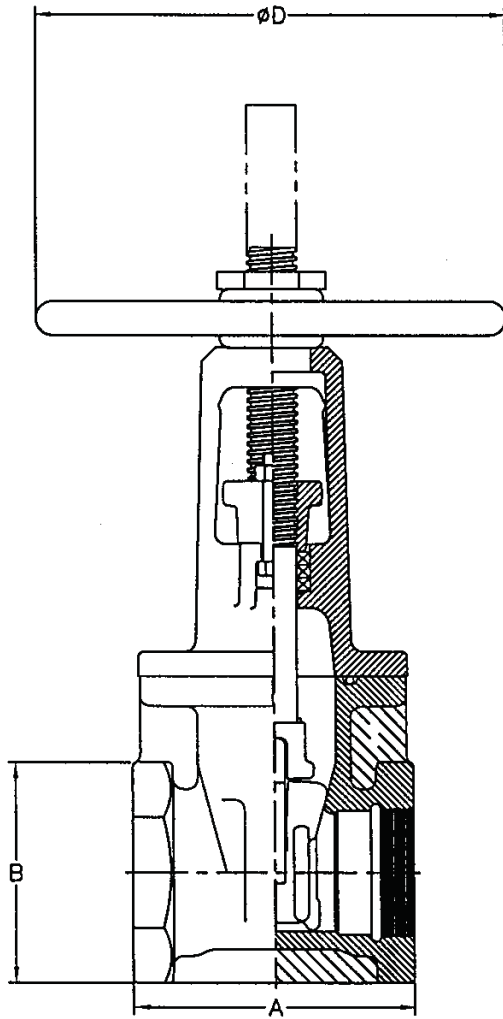


**2"-3" R/S VALVE THREADED ENDS
OS&Y GENERAL DIMENSIONS**

KENNEDY VALVE MODEL KS-FW

Complies with applicable requirements of AWWA C509

8067



VALVE SIZE	A	B	D	E	F	WEIGHT*
2	5 1/4	4 1/8	7 1/4	10	12	N/A
2 1/2	7	5 3/16	7 1/4	13 7/8	16 3/8	40
3	7 1/2	5 3/16	10	15 5/8	18 7/8	50