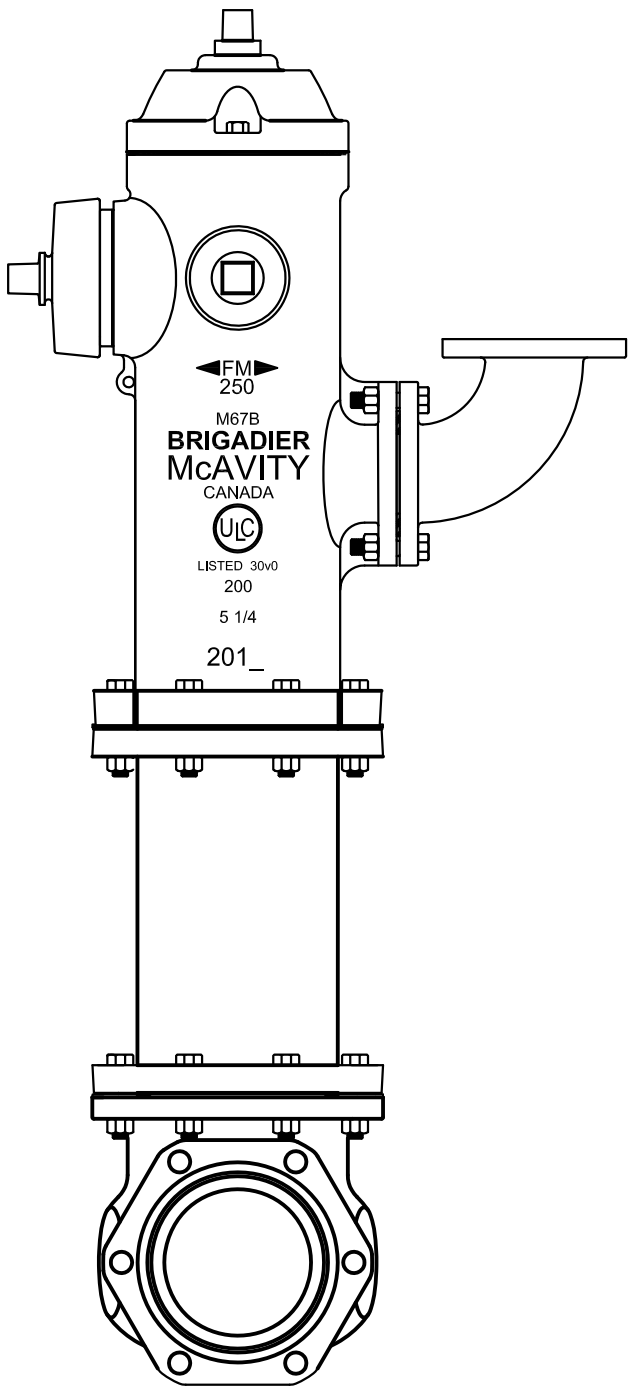


		PATT OR DIE No.	FINISH	UNLESS OTHERWISE SPECIFIED DECIMAL DIM'S IN 2 PLACES + or - .02 DIM'S IN 3 PLACES + or - .01
LETTER CHANGE	MATERIAL	WEIGHT		

REF. Nos.



DRAWN <i>L.G. McKAY</i>	CHECKED	EXAMINED	NOTED	APPROVED
----------------------------	---------	----------	-------	----------

M67B 2 HOSE 1 PUMPER + MONITOR  
WITH 6" M.J. ELBOW

**CLOW CANADA**

SCALE NOT TO SCALE DATE SEPT. / 2010

M67B - 005