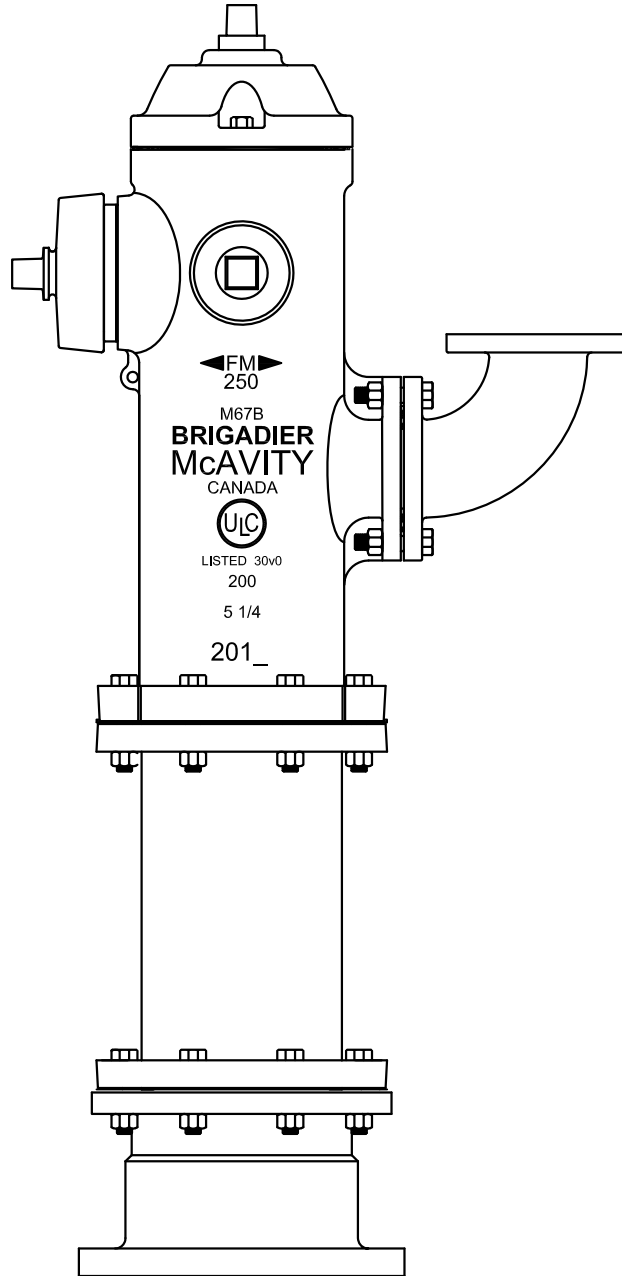


|               |                 |        |  |
|---------------|-----------------|--------|--|
|               | PATT OR DIE No. | FINISH | UNLESS OTHERWISE SPECIFIED<br>DECIMAL<br>DIM'S IN 2 PLACES + or - .02<br>DIM'S IN 3 PLACES + or - .01<br><br>FRACTION<br>DIM'S UNDER 6" + or -<br>DIM'S OVER 6" + or - |
| LETTER CHANGE | MATERIAL        | WEIGHT |  |

REF. Nos.



|                            |         |          |       |          |
|----------------------------|---------|----------|-------|----------|
| DRAWN<br><i>L.G. McKAY</i> | CHECKED | EXAMINED | NOTED | APPROVED |
|----------------------------|---------|----------|-------|----------|

M67B 2 HOSE 1 PUMPER + MONITOR  
WITH 8" ON-LINE CHAMBER

**CLOW CANADA**

SCALE NOT TO SCALE DATE SEPT. / 2010

M67B - 042