

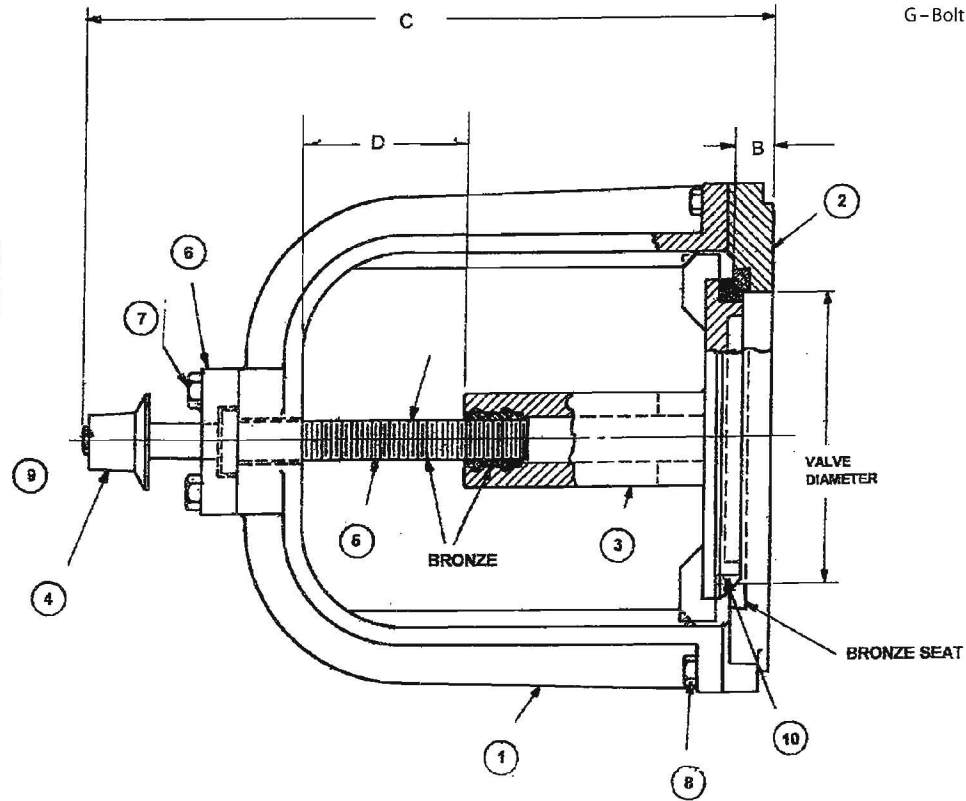
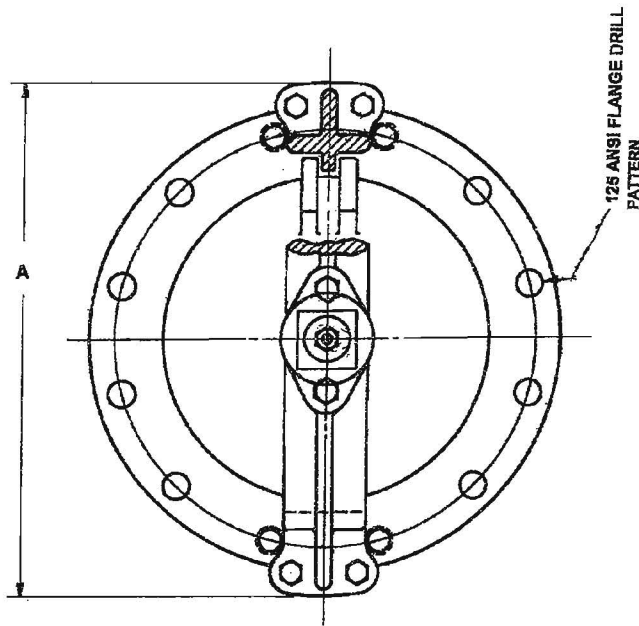
Parts List

Item	Description	Required	Material	ASTM	
1	Yoke	1	Cast Iron	A126	CL B
2	Frame w/Br. Seat Ring	1	Cast Iron	A126	CL B
3	Plug	1	Cast Iron	A126	CL B
4	Wrench Nut	1	Cast Iron	A126	CL B
5	Stem	1	Bronze	B138	Alloy 675
6	Stem Cap	1	Cast Iron	A126	CL B
7	Cap Screw	2	Steel		ASA B16.6.2
8	Cap Screw	4	Steel		GR B Plated
9	Cap Nut	1	Steel		GR B Plated
10	Plug Seat	1	BUNA-N		

A25600RB Mud Valve, Non-Rising Stem IBBM

Size	3	4	6	8	10	12	14	16	18	20	24
A	7½	9	11	13½	16	19	21	23½	25	27½	32
B	¾	1½	1	1½	1¾	1¼	1¾	1¾	1¾	1¾	1¾
C	11¾	14¾	16¾	19¾	22¾	24¾	27¼	29¾	32¾	37	41¾
D	1¾	1¾	3¾	4¾	5¾	6¾	7¾	8¾	8¾	9¾	12½
E	¾	¾	7/8	7/8	8	1	1½	1½	1½	1½	1¾
F	4	6	6	8	8	10	10	14	14	18	20
G	6	7½	9½	11¾	14¼	17	18¾	21¼	22¾	25	29½

E - Diameter of Holes
 F - Number of Holes Used
 G - Bolt Circle Diameter



MATERIAL:	MUD VALVE—NON-RISING STEM (RESILIENT TO BRONZE SEAT)
DATE:	
TROY VALVE Troy, PA	NO. A25600RB