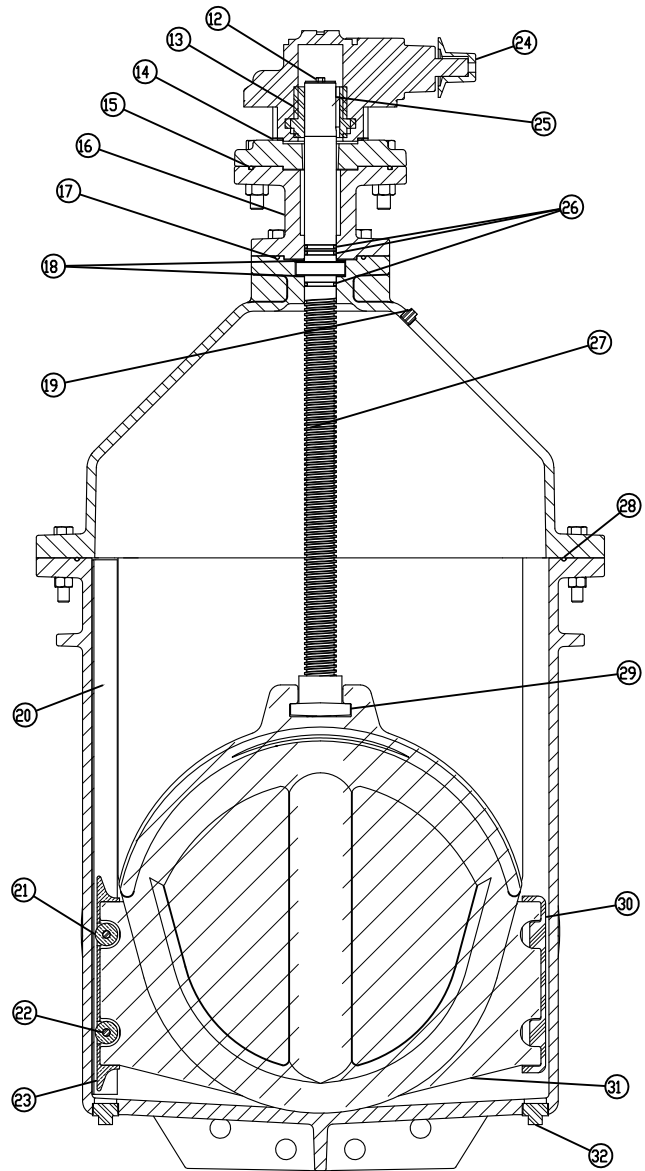
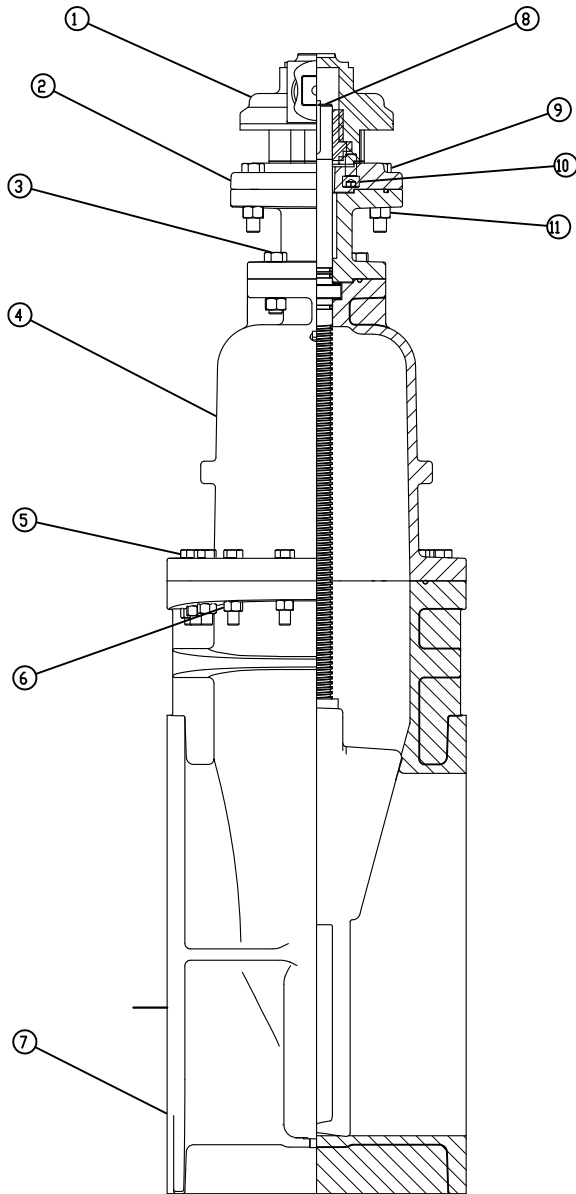


PROJECT
OWNER
CONTRACTOR
DISTRIBUTOR
CONSULTANT

600mm R/W RTS
 BEVEL GEAR MATERIAL LIST
 MODEL F6102

CLOW CANADA



ITEM NO.	DESCRIPTION	MATERIAL	MATERIAL SPECIFICATIONS
1	Exeeco IB7 3:1 Actuator	-	-
2	Adaptor Plate	Ductile Iron	ASTM A536 65-45-12
3	Hex Head Bolt	Stainless Steel	ASTM F593 304
4	Cover	Ductile Iron	ASTM A536 65-45-12
5	Hex Head Bolt	Stainless Steel	ASTM F593 304
6	Hex Nut	Stainless Steel	ASTM F594 304
7	Body - Flange	Ductile Iron	ASTM A536 65-45-12
8	Washer	Steel	-
9	Head Head Bolt	Stainless Steel	ASTM F593 304
10	Socket Head Bolt	Stainless Steel	ASTM F593 304
11	Hex Nut	Stainless Steel	ASTM F594 304
12	Hex Head Bolt	Stainless Steel	ASTM F593 304
13	Drive Sleeve	Steel	AISI 1023
14	Actuator Gasket	Rubber	Buna N
15	O-Ring	Rubber	EPDM
16	Extension	Ductile Iron	ASTM A536 65-45-12
17	O-Ring	Rubber	EPDM

ITEM NO.	DESCRIPTION	MATERIAL	MATERIAL SPECIFICATIONS
18	Thrust Washer	Plastic	Delrin
19	Pipe Plug	Stainless Steel	AISI 304
20	Track	Stainless Steel	AISI 316
21	Roller	Bronze	ASTM B148 C954
22	Pin	Stainless Steel	AISI 303
23	Scraper	Bronze	ASTM B148 C954
24	Op Nut	Ductile Iron	ASTM A536 65-45-12
25	Key	Steel	AISI 1018
26	O-Ring	Rubber	EPDM
27	Stem	Bronze	ASTM B584 C86700
28	O-Ring	Rubber	EPDM
29	Stem Nut	Brass	ASTM B584 C83600
30	Protector	Plastic	Delrin
31	Wedge	Ductile Iron / Rubber	ASTM A536 65-45-12 / EPDM
32	Pipe Plug	Stainless Steel	AISI 304