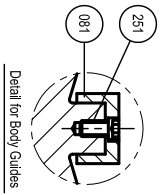
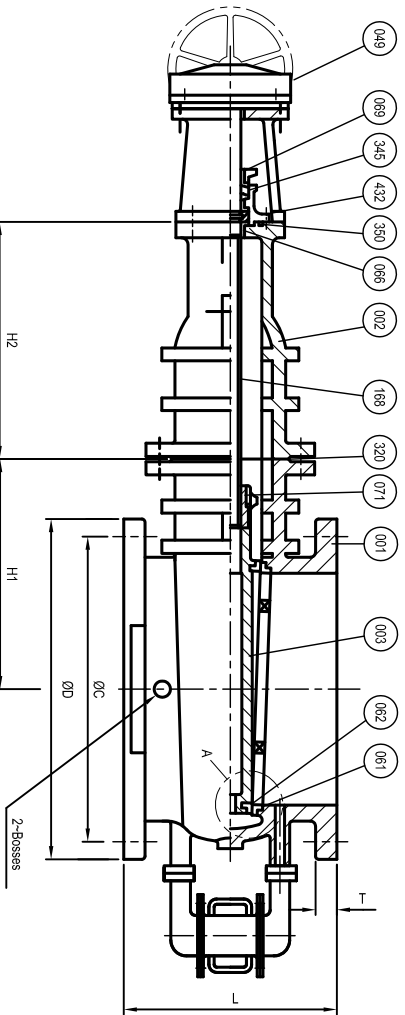



Detail A
Body Seal Screwed In



Detail for Body Guides



Marking
SIZE (INCH) 
ARD SCI
300 PSI 200
AWMA C500
DI

Dimensions in inches.

SIZE Ød In.	L	ANSI B.16.1 CL 125					A	H	H ₁	H ₂	H ₃	ØW	By Pass size
		ØD	ØC	Øh	n	T							
30	24	38 ³ / ₄	36	1 ³ / ₈	28	2 ¹ / ₈	45.28	70.00	26.77	28.98	35.24	19.75	4
36	28	42 ³ / ₄	46	1 ⁵ / ₈	32	2 ³ / ₈	53.94	83.86	29.53	37.13	39.76	24.50	6
42	31.94	46	48 ¹ / ₂	1 ⁵ / ₈	36	2 ⁵ / ₈	60.39	94.53	35.43	41.93	42.00	24.50	6
48	33.00	59 ¹ / ₂	56	1 ⁵ / ₈	44	2 ³ / ₄	68.44	106.63	38.38	48.81	48.06	24.50	8

432	Packing Box Bolt	Zinc Coated Steel	A 307 Grade B	1 set
350	O-Ring	Rubber (Buna N)	D 2000 Bk 707	1
345	Packing	Braided Packing Synthetic Yarn With PTFE		1
320	Bonnet Gasket	Non Asbestos Sheet		1
251	Body Guide Bolt	Zinc Coated Steel	A 307 Grade B	1 set
186	Stand Bolt & Nut	Zinc Coated Steel	A 307 Grade B	1 set
181	Top Nut	Zinc Coated Steel	A 307 Grade B	1
178	Gland Bolt & Nut	Zinc Coated Steel	A 307 Grade B	2
175	Bonnet Stud & Nut	Zinc Coated Steel	A 307 Grade B	1 set
166	Stem	Stainless Steel	A 276 Type 304	1
094	Roller	Bronze	B 62	2
083	Roller Box	Bronze	B 62	1
082	Bonnet Guide	Bronze	B 62	2
081	Body Guide	Bronze	B 62	2
071	Stem Nut	Bronze	B 62	1
069	Gland Bushing	Bronze	B 62	1
067	Packing Box Bushing	Bronze	B 62	1
066	Bonnet Bushing	Bronze	B 62	1
062	Disc Seat Ring	Bronze	B 62	2
061	Body Seal Ring	Bronze	B 62	2
049	Gear Operator	See Table		1 set
012	Stand	Cast Iron	A 126 Class B	1
010	Handwheel / Op Nut	Cast Iron	A 126 Class B	1
005	Gland	Ductile Iron	A 536 G-65-45-12	1
004	Packing Box	Ductile Iron	A 536 G-65-45-12	1
003	Disc	Ductile Iron	A 536 G-65-45-12	1
002	Bonnet	Ductile Iron	A 536 G-65-45-12	1
001	Body	Ductile Iron	A 536 G-65-45-12	1
NO.	PARTS	MATERIAL	ASTM DESIGNATION	QTY
NO.	MATERIAL LIST			
HYDRO SHELL		550 PSI		
HYDRO VALVE SEAT		300 PSI		
HYDRO BACK SEAT		- PSI		
WORKING PRESSURE		300 PSI		

AMERICAN R/D

A DIVISION OF MEYANE INC.
1800 GREENBERGER DEAR ROAD, ANNISTON, AL 36207
PHONE (256)831-2236 • FAX (256)831-2884

TITLE:

30"-48" SOLID WEDGE GATE VALVE - NRS - FLANGED END - BEVEL GEAR-BOTTOM BYPASS-SERIES 100

TPP-SWGV DWG. NO. 100-30-48-TL-BG8BP
SCALE: NONE DATE: 4/20/11