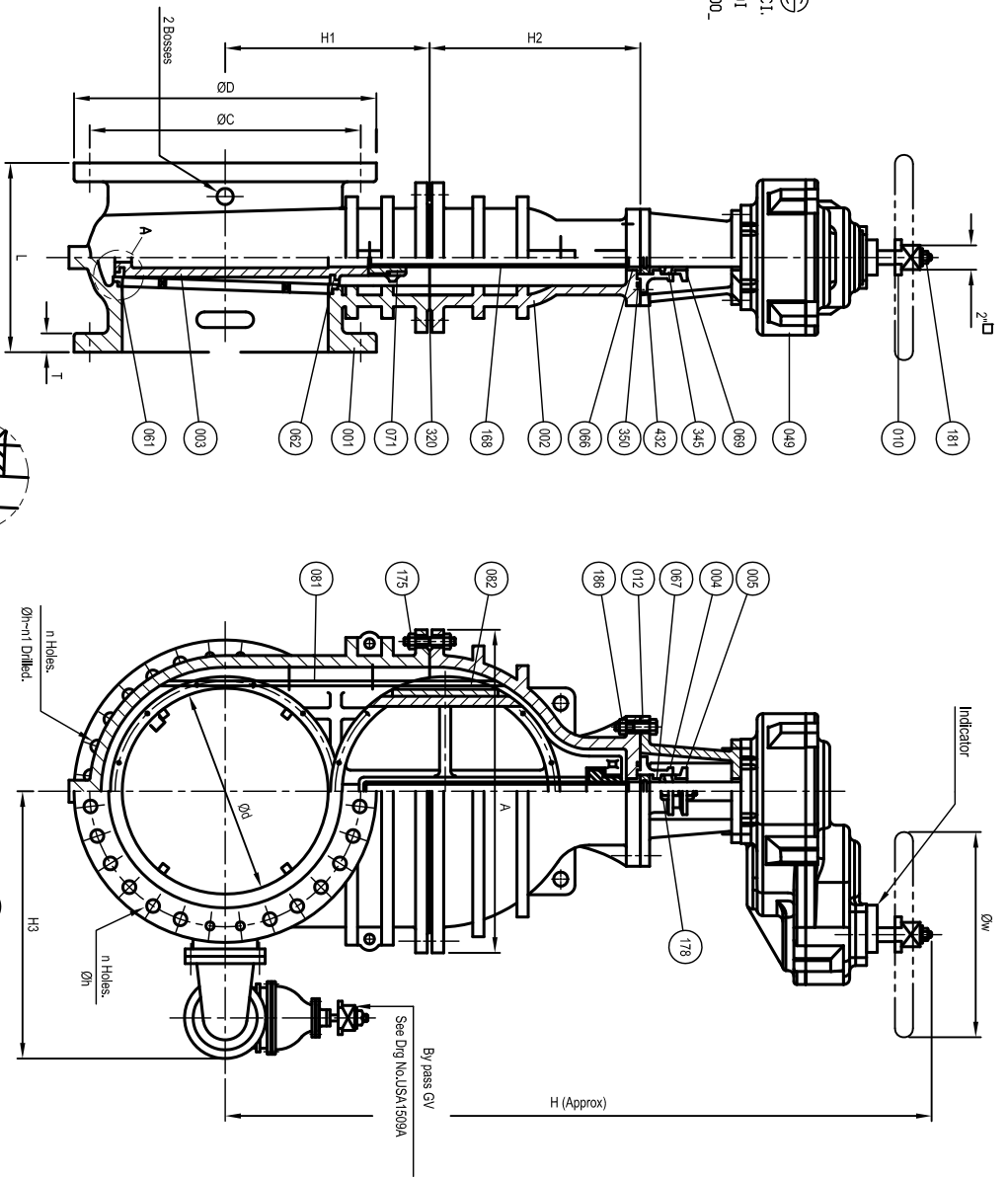


Marking
 Size (Inch)
 ARD SCI, DI
 300 PSI
 AWWA C500
 D1 200



Dimensions in inches

SIZE Ød In.	L	ANSI B.16.1 CL.125					A	H	H 1	H 2	H 3	QW	By Pass size
		OD	OC	OH	n	T							
30	24	30 3/8	36	1 3/8	28	2 1/8	45.28	78.81	26.77	28.98	20.55	19.75	4
36	28	42 7/8	48	1 5/8	32	2 3/8	53.94	94.00	29.53	37.13	23.66	24.50	6
42	31.94	53	49 1/2	1 7/8	36	2 5/8	60.39	104.92	35.43	41.93	42	24.50	6
48	33	59.50	56	1 7/8	44	2 3/4	68.44	115.33	39.38	48.81	48.06	24.50	8

Detail A
 Body Seal Screwed In

Detail B
 Detail for Guides

NO.	PARTS	MATERIAL	ASTM DESIGNATION	QTY
432	Packing Box Bolt	Zinc Coated Steel	A 307 Grade B	1 set
360	O-Ring	Rubber (Buna N)	D 2000 BK 707	1
345	Packing	Radial Packing Synthetic Yarn With PTFE		1
320	Bonnet Gasket	Non Asbestos Sheet		1
253	Disc Gasket	Bronze	B 62	2
251	Body Gasket Bolt	Zinc Coated Steel	A 307 Grade B	1 set
186	Stem Bolt & Nut	Zinc Coated Steel	A 307 Grade B	1 set
181	Top Nut	Zinc Coated Steel	A 307 Grade B	1
178	Gland Bolt & Nut	Zinc Coated Steel	A 307 Grade B	2
175	Bonnet Stud & Nut	Zinc Coated Steel	A 307 Grade B	1 set
168	Stem	Stainless Steel	A 276 Type 304	1
085	Disc Gasket Bolt	Zinc Coated Steel	A 307 Grade B	1 set
082	Bonnet Guide	Bronze	B 62	2
081	Body Guide	Bronze	B 62	2
071	Stem Nut	Bronze	B 62	1
069	Gland Bushing	Bronze	B 62	1
067	Packing Box Bushing	Bronze	B 62	1
066	Bonnet Bushing	Bronze	B 62	1
062	Disc Seal Ring	Bronze	B 62	2
061	Body Seal Ring	Bronze	B 62	2
049	Gear Operator			1 set
012	Stand	Cast Iron	A 126 Class B	1
010	Hand Wheel / Op Nut	Cast Iron	A 126 Class B	1
005	Gland	Ductile Iron	A 536 Grade 65-45-12	1
004	Packing Box	Ductile Iron	A 536 Grade 65-45-12	1
003	Disc	Ductile Iron	A 536 Grade 65-45-12	1
002	Bonnet	Ductile Iron	A 536 Grade 65-45-12	1
001	Body	Ductile Iron	A 536 Grade 65-45-12	1

MATERIAL LIST		TEST PRESSURE
HYDRO SHELL	550 PSI	
HYDRO VALVE SEAT	300 PSI	
HYDRO BACK SEAT	- PSI	
WORKING PRESSURE	300 PSI	

AMERICAN R/D
 A DIVISION OF MEYANE INC.
 1800 GREENBERGER DEAR ROAD, ANNISTON, AL 36207
 PHONE (256)831-2236 - FAX (256)831-2884

TITLE:
**30"-48" SOLID WEDGE GATE VALVE - NRS - FLANGED END -
 SPUR GEAR-SIDE BYPASS-SERIES-100**

TRP: SWGV DWG. NO: 100-30-46-TL-SSGSRP
 SCALE: NONE DATE: 4/25/11