

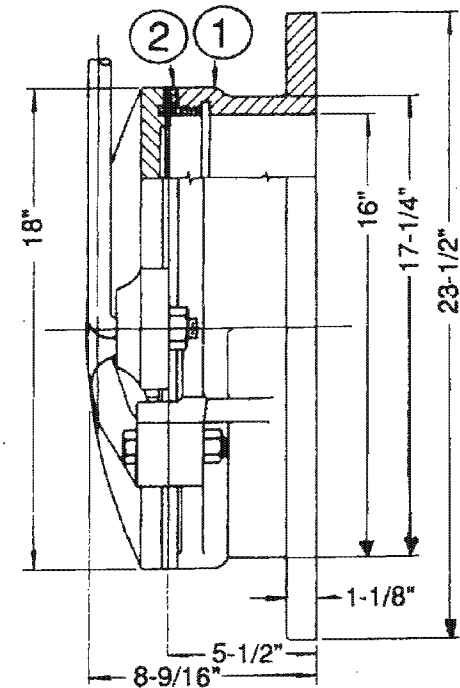
FURNISHED WITH TWO FOOT LIFT
HANDLE AND CATCH (A-25215)

LONGER LIFT HANDLE
FURNISHED WHEN SPECIFIED

ELLIS 7-2-65
ORTON 6-7-66
R.L.R. 6-8-66
Z.F.R. 6-8-66

Parts List

Item	Description	Required	Material	ASTM	
1	Body	1	Cast Iron	A126	CLB
2	Seat Ring	1	Bronze	B62	
3	Lift Handle	1	Steel	A107	GR.1115
4	Disc w/Br Disc Ring	1	Cast Iron	A126	CLB
5	Wedge Bolt	2	Steel		ASA B18.2
6	Right Hand Wedge	1	Cast Iron	A126	CLB
7	Hinge Bolt	1	Bronze	B62	
8	Hinge Bolt Nut	1	Bronze	B62	
9	Set Screw	1	Steel		Plated



REPLACES DWG. NO. E-3355 BY J.D.K. 8-7-57

MATERIAL:	16" SHEAR GATE, FLANGE END, SINGLE WEDGE
DATE:	
TROY VALVE Troy, PA	
NO. A-2520-6/E-3355	