

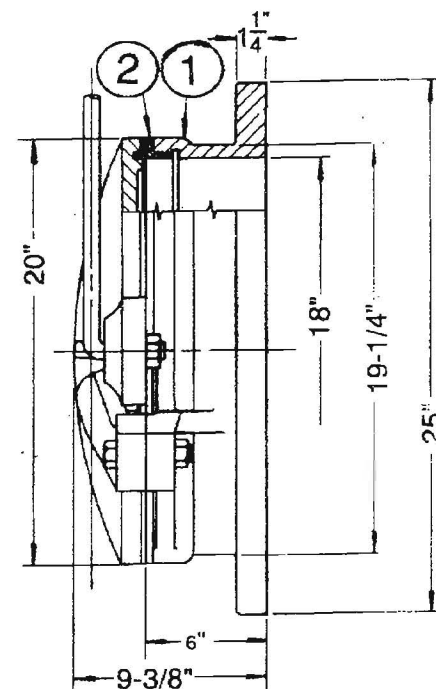
FURNISHED WITH TWO FOOT LIFT  
HANDLE AND CATCH (A-25215)

LONGER LIFT HANDLE  
FURNISHED WHEN SPECIFIED

ELLIS 7-2-65  
ORTON 6-7-66  
R.L.R. 6-8-66  
Z.F.R. 6-8-66

Parts List

Item	Description	Required	Material	ASTM	
1	Body	1	Cast Iron	A126	CLB
2	Seat Ring	1	Bronze	B62	
3	Lift Handle	1	Steel	A107	GR.1115
4	Disc w/Br Disc Ring	1	Cast Iron	A126	CLB
5	Right Hand Wedge	1	Cast Iron	A126	CLB
6	Wedge Nut	2	Steel		ASA B18.2
7	Hinge Bolt	1	Bronze	B62	
8	Hinge Bolt Nut	1	Bronze	B62	
9	Set Screw	1	Steel		Plated



REPLACES DWG. NO. E-3417 BY M.L.O. 8-15-50

MATERIAL:	<b>18" SHEAR GATE, FLANGE END, SINGLE WEDGE</b>
DATE:	
<b>TROY VALVE</b> Troy, PA	
NO. <b>A-2520-6/E-3417</b>	