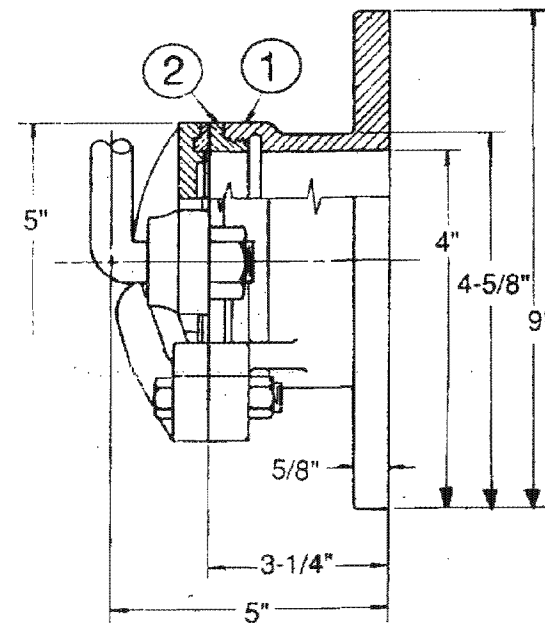


FURNISHED WITH TWO FOOT LIFT  
HANDLE AND CATCH (A-25215)

LONGER LIFT HANDLE  
FURNISHED WHEN SPECIFIED

Parts List

Item	Description	Required	Material	ASTM	
1	Body	1	Cast Iron	A126	CLB
2	Seat Ring	1	Bronze	B62	
3	Lift Handle	1	Steel	A107	GR.1115
4	Disc w/Br Disc Ring	1	Cast Iron	A126	CLB
5	Right Hand Wedge	1	Cast Iron	A126	CLB
6	Wedge Bolt	2	Steel		ASA B18.2
7	Hinge Bolt	1	Bronze	B62	
8	Hinge Bolt Nut	1	Bronze	B62	
9	Set Screw	1	Steel		Plated



T.R.J. 6-17-65  
E. ROBERTS 8-13-65  
R.L.R. 6-8-66  
Z.F.R. 6-8-66

REPLACES DWG. NO. E-3339 BY J.W.W. 4-19-48

MATERIAL:

DATE:

4" SHEAR GATE, FLANGE END, SINGLE WEDGE

**TROY VALVE**

Troy, PA

NO.

A-2520-6/E-3339