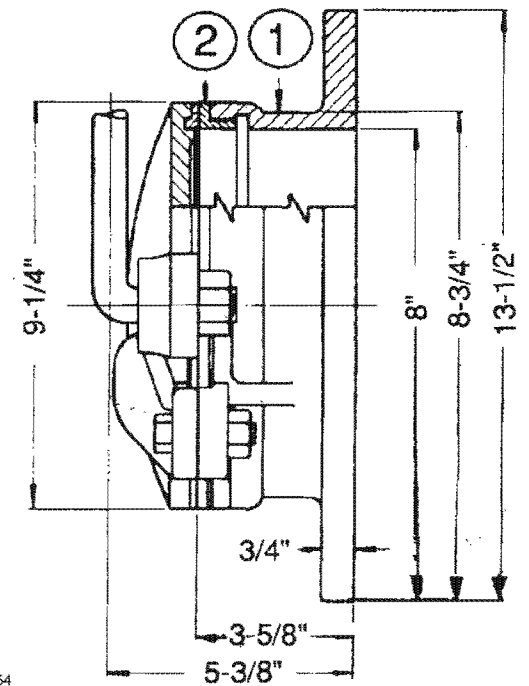


Parts List

Item	Description	Required	Material	ASTM	
1	Body	1	Cast Iron	A126	CL.B
2	Seat Ring	1	Bronze	B62	
3	Lift Handle	1	Steel	A107	GR.1115
4	Disc w/Br Disc Ring	1	Cast Iron	A126	CL.B
5	Right Hand Wedge	1	Cast Iron	A126	CL.B
6	Wedge Bolt	2	Steel		ASA B18.2
7	Hinge Bolt	1	Bronze	B62	
8	Hinge Bolt Nut	1	Bronze	B62	
9	Set Screw	1	Steel		Plated



E.L.R. 12-18-64
 ORTON 6-6-66
 R.L.R. 6-8-66
 Z.F.R. 6-8-66

REPLACES DWG. NO. E-3387 BY R.E.S. 7-11-41

MATERIAL:	8" SHEAR GATE, FLANGE END, SINGLE WEDGE
DATE:	
TROY VALVE Troy, PA	NO. A-2520-6/E-3387