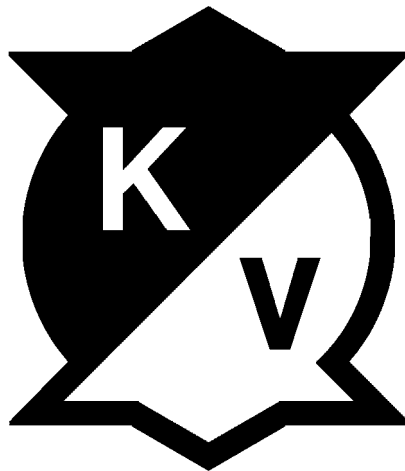


KENNEDY VALVE



UL/FM Butterfly Valves



Designed for the Fire Protection Industry

Sizes: 2-1/2", 3", 4", 6", 8"

300 PSI Rated

Double Seal Design For Bubble Tight Shut Off

UL Listed and FM Approved

Outdoor Rated

Wetted Components NSF Approved

C.S.F.M. Approved

N.Y.C. Acceptance Pending

Light Weight

Corrosion Resistant Fusion Bond Coating

Low Torque Operation, High Cycle Life

Easy to read Flag Type Position Indicator



KENNEDY VALVE

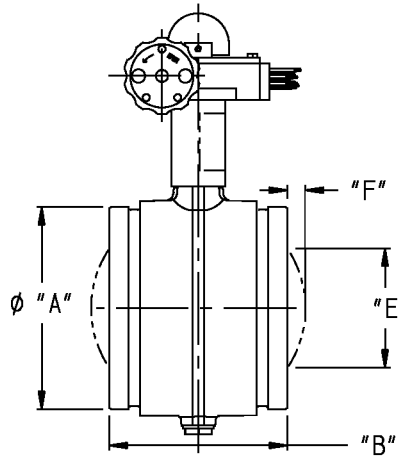
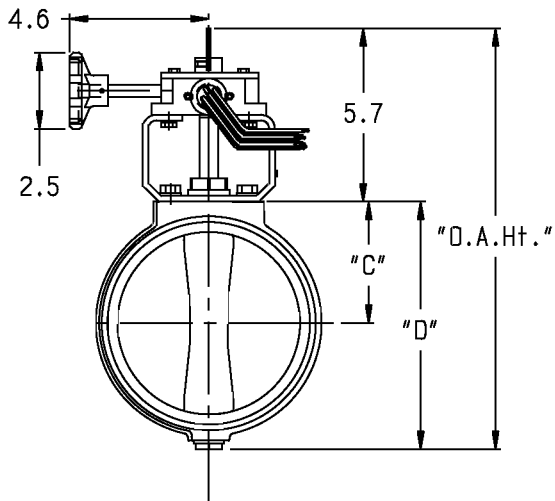


Division of McWane, Inc.
 1021 East Water St., Elmira, NY 14901 (607) 734-2211

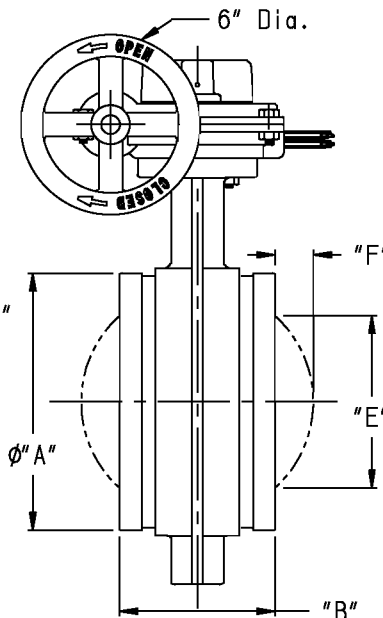
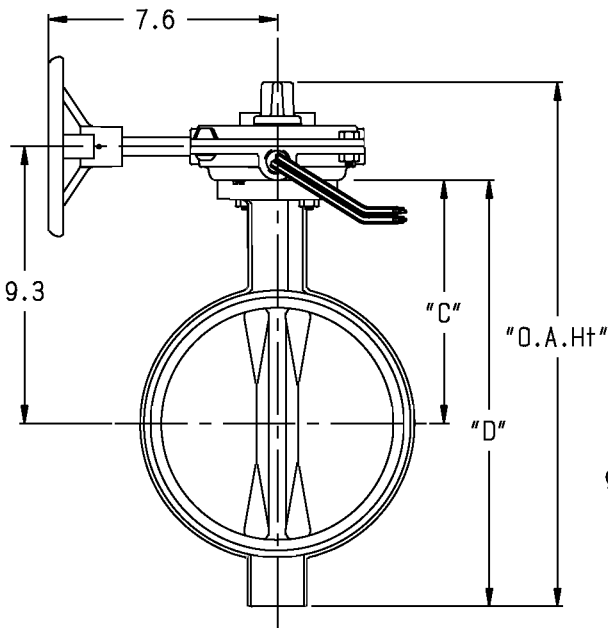


Grooved End Butterfly Valves 2-1/2" to 8" Figure G300 & 01G 300 psi with Supervisory Tamper Switch

Wetted Components NSF Approved 4"-8"



2-1/2" to 6"
 G300
 Outdoor Rated UL/FM



8" Only
 01G
 Outdoor Rated UL

1. UPPER AND LOWER SHAFTS: 416 SS					
2. BODY COATING: EPOXY					
3. DISC ENCAPSULATION MTL: SBR					
	G300				01G
SIZE	2-1/2"	3"	4"	6"	8"
A	2.85	3.47	4.47	6.61	8.6
B	3.8	3.8	4.5	5.8	5.2
C	2.2	2.4	2.9	4.0	8.2
D	4.3	4.8	5.9	8.1	14.3
E	-	-	-	1.7	5.9
F	-	-	-	.1	1.3
O.A.Ht.	10.0	10.4	11.6	13.8	17.6
Wt.#	8.8	10.1	13.5	24.6	44

Note: "E" will be MINIMUM allowed pipe I.D.
 Exercise care handling and during installation.



KENNEDY VALVE

Division of McWane, Inc.



1021 East Water St., Elmira, NY 14901 (607) 734-2211



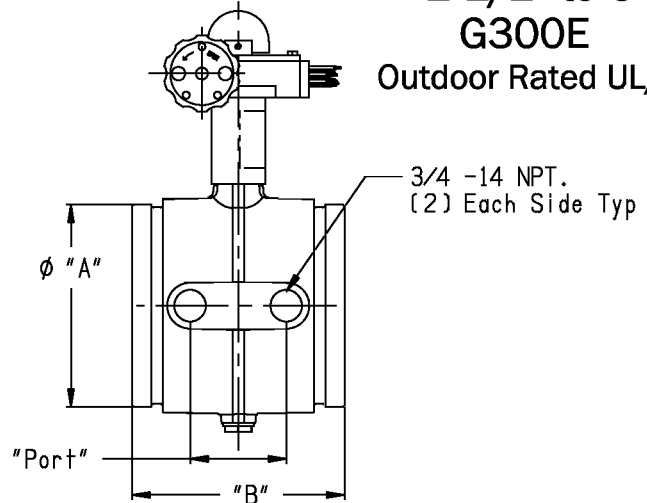
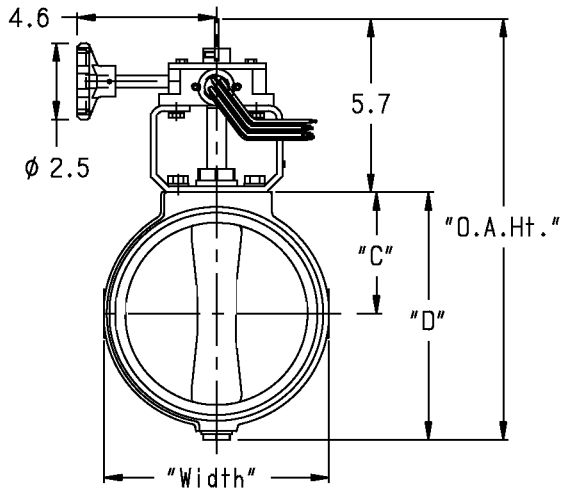
Grooved End Butterfly Valves 2-1/2" to 8"

**Figure G300E & 02G 300 psi
with Supervisory Tamper Switch**

Extended Length
Equipped with Four 3/4"NPT Ports
Wetted Components NSF Approved 4"-8"
USC Approved 4" to 8"

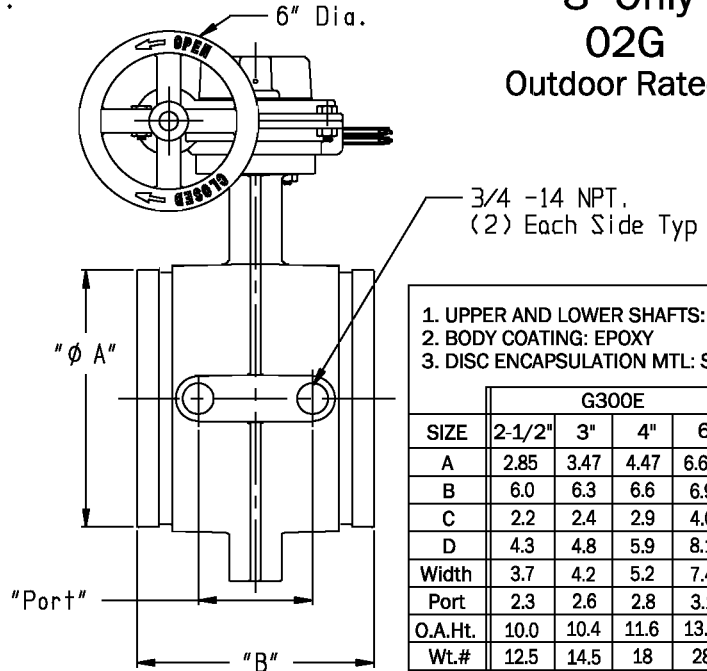
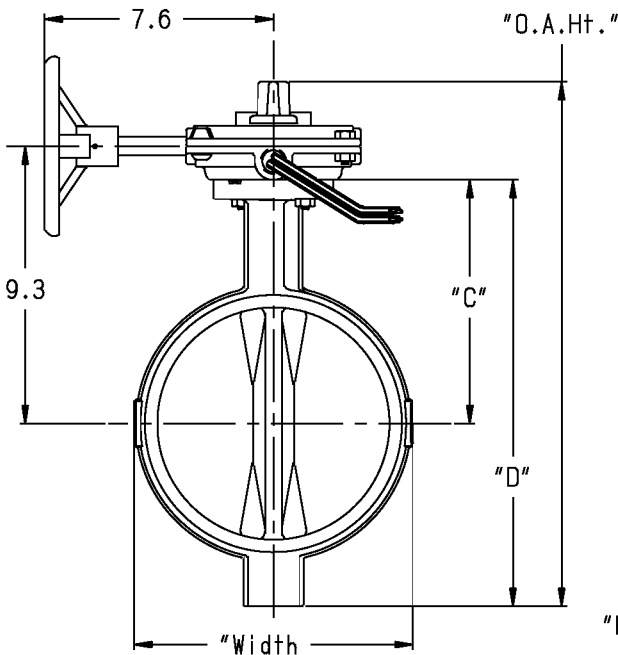
2-1/2" to 6"
G300E

Outdoor Rated UL/FM



8" Only
02G

Outdoor Rated UL



1. UPPER AND LOWER SHAFTS: 416 SS
2. BODY COATING: EPOXY
3. DISC ENCAPSULATION MTL: SBR

SIZE	G300E					02G
	2-1/2"	3"	4"	6"	8"	
A	2.85	3.47	4.47	6.61	8.6	
B	6.0	6.3	6.6	6.9	7.9	
C	2.2	2.4	2.9	4.0	8.2	
D	4.3	4.8	5.9	8.1	14.3	
Width	3.7	4.2	5.2	7.4	9.3	
Port	2.3	2.6	2.8	3.1	2.3	
O.A.Ht.	10.0	10.4	11.6	13.8	17.6	
Wt.#	12.5	14.5	18	28	55	

Note: Disc does not protrude past the "B" dimension of the body on any size in the open position. Exercise care handling and during installation.



KENNEDY VALVE



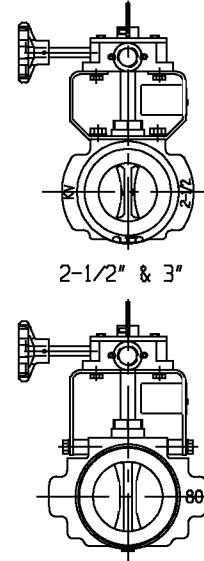
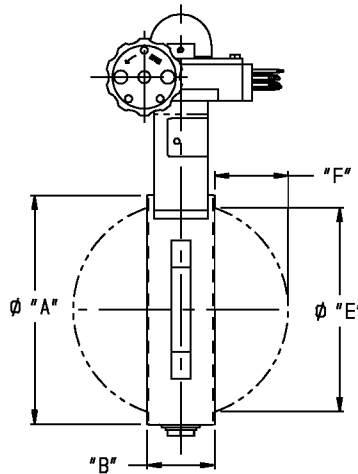
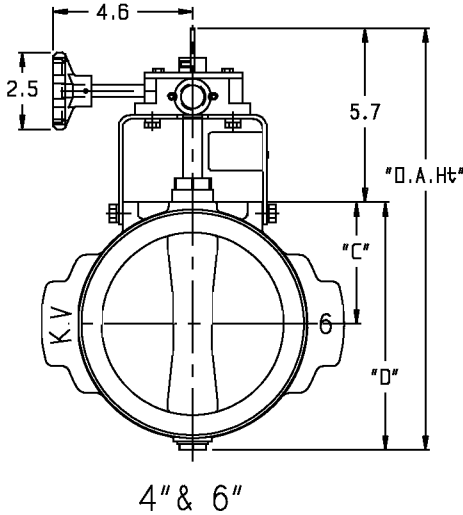
Division of McWane, Inc.
 1021 East Water St., Elmira, NY 14901 (607) 734-2211



Wafer Butterfly Valves 2-1/2" to 8"

Figure W300, W300I, & 01G 300 psi
 with Supervisory Tamper Switch

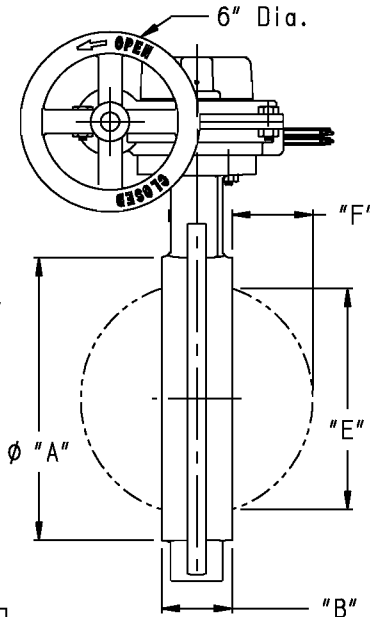
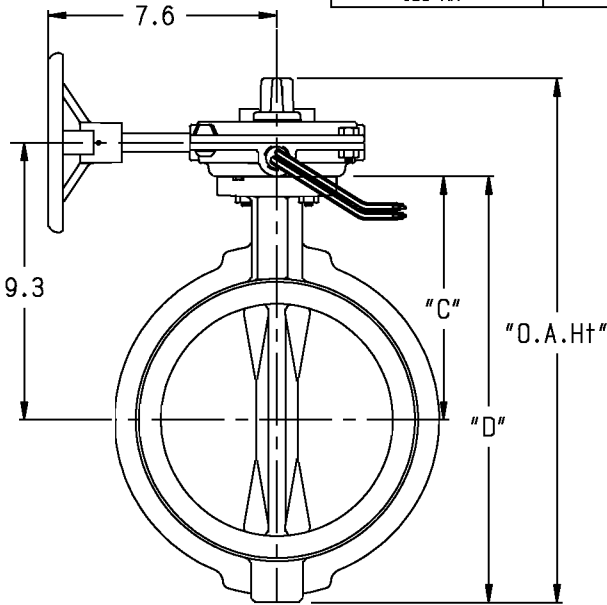
Wetted Components NSF Approved 4" - 8"



2-1/2" to 6"
 W300 & W300I
 Outdoor Rated UL/FM

VALVE SELECTION FOR ISO PN 16 FLANGE	
FLANGE SIZE	KV MODEL
65 MM	2-1/2" W300
80 MM	3" W300I
100 MM	4" W300I
150 MM	6" W300

W300I - ISO PN16 FLANGE
 3"/80mm & 4"/100mm ONLY



8" Only
 01G
 Outdoor Rated UL

WAFER BOLTING					
SIZE	2-1/2"	3"	4"	6"	8"
Number of Studs	4	4	8	8	8
Stud size (inch)	5/8	5/8	5/8	3/4	3/4
Stud Length Min. (inch)	5.5	5.5	6.5	7	7.5
Recommended Min. Torque (Ft-Lbs)	30	30	30	40	50

- UPPER AND LOWER SHAFTS: 416 SS
- BODY COATING: EPOXY
- DISC ENCAPSULATION MTL: SBR

SIZE	W300, W300I				01W
	2-1/2"	3"	4"	6"	8"
A	4.2	4.4	5.3	7.5	9.5
B	1.8	1.8	2.0	2.2	2.4
C	2.2	2.4	2.9	4.0	8.2
D	4.3	4.8	5.9	8.1	14.3
E	1.7	2.4	3.3	5.6	7.5
F	.4	.6	.9	1.9	2.7
O.A.Ht.	10.0	10.4	11.6	13.8	17.6
Wt.#	10.5	11.1	13.8	20.5	44

Dimensions B, D, and E are referenced in Installation Instructions.
 "E" is MINIMUM allowed pipe I.D.

Exercise care handling and during installation



BUTTERFLY VALVE - G300/G300E/W300/W300I/01G/01W/02G SUPPLEMENTARY INSTALLATION INSTRUCTIONS

Information shown here is intended to supplement, not replace, instructions that is shipped with each valve.

Dimensional information regarding minimum pipe I.D. and disc protrusion are shown on dimensional page for particular valve.

Exercise care handling and during assembly.

Grooved Body

For use with grooved end in steel pipe (IPS)

See valve dimensional information for min. pipe I.D (dimension E)

Valves shall be installed by person(s) certified to install grooved end fittings in a fire protection system by authority having jurisdiction.

- 1) Place gasket over pipe or fitting to which valve will be joined.
- 2) Position valve against mating pipe/fitting.
- 3) Slide gasket into position on valve and adjacent pipe/fitting and install coupling according to coupling manufacturer's instructions.

Wafer Body

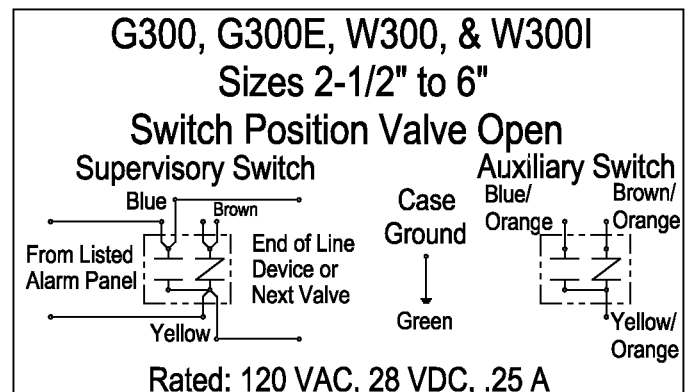
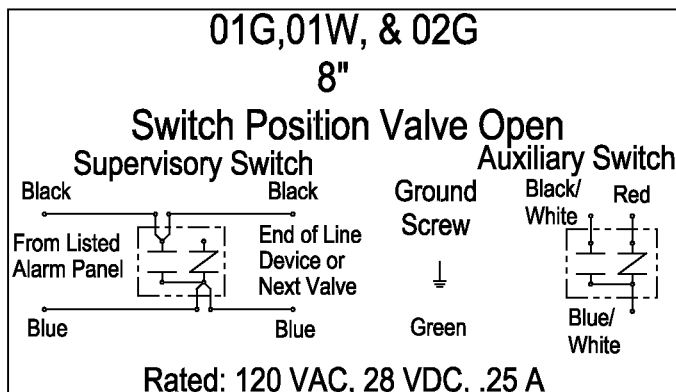
For installation between two ANSI B16.1, 125 lb. flanges

See valve dimensional information for min. pipe I.D. (dimension E)

- 1) Two flanged mating pieces should be placed at a distance apart that is slightly more than the thickness of the body (dim.B on wafer table)
- 2) A minimum of 2 studs shall be placed through adjacent flange holes so that the lower trunnion of the valve can fit between them. Normally this is the bottom 2 holes if the valve will be vertical with open/closed indicator on top.
- 3) Place the valve between the flanges-take care not to disturb the body gaskets.
- 4) Place remaining studs around the valve and tighten using an alternating pattern until desired torque is reached.

Switch Wiring

- 1) Valve has internal switches that operate from the OPEN position.
- 2) One switch has dual leads that is for connection to the SUPERVISORY circuit of an alarm panel. The other switch has single leads and is intended to be connected to AUXILIARY equipment.
- 3) Unused leads can be tucked into junction box (not provided)
- 4) Always comply with national codes, local codes, and NPFA 13, 71, and 72.



KENNEDY VALVE

Division of McWane, Inc.



1021 East Water St., Elmira, NY 14901 (607) 734-2211

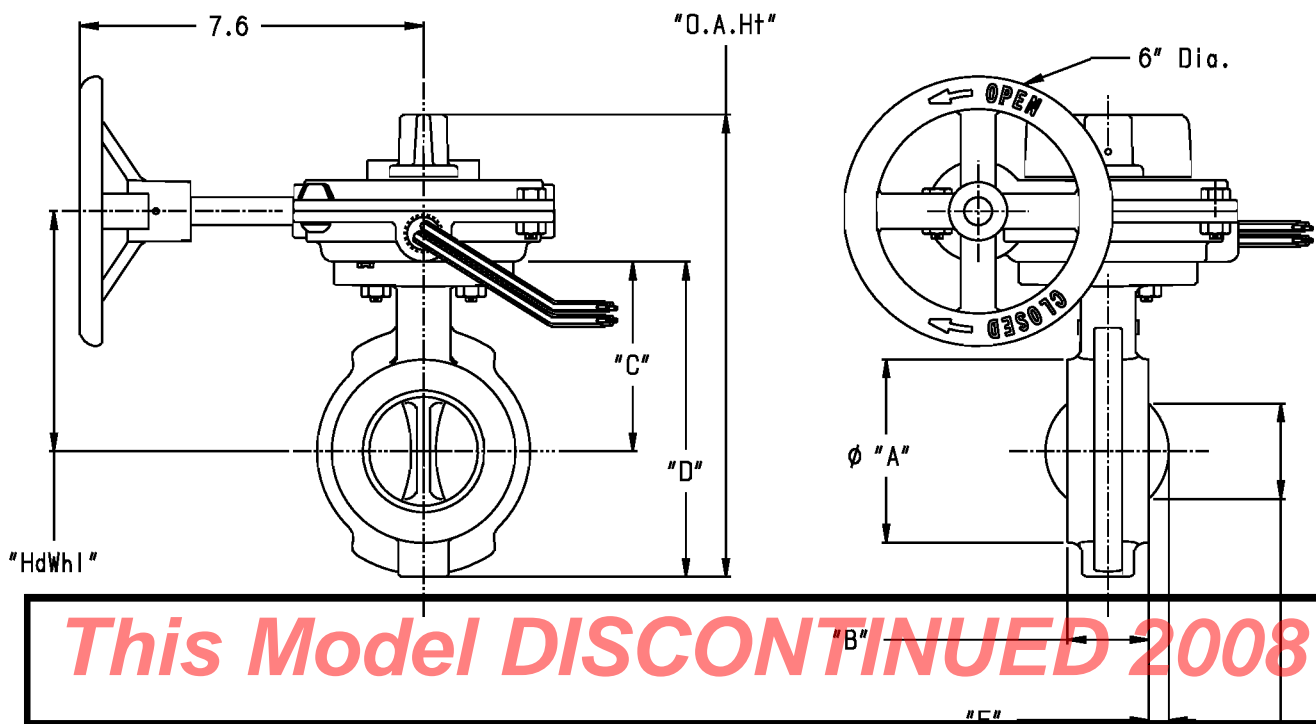


Wafer Butterfly Valves 2-1/2" to 8"

Figure 01W 300 psi
with Supervisory Tamper Switch

UL Rated for Outdoor Use

This Model DISCONTINUED 2008



This Model DISCONTINUED 2008

WAFER BOLTING					
SIZE	2-1/2"	3"	4"	6"	8"
Number of Studs	4	4	8	8	8
Stud size (inch)	5/8	5/8	5/8	3/4	3/4
Stud Length Min. (inch)	5.5	5.5	6.5	7	7.5
Recommended Min.Torque (Ft-Lbs)	30	30	30	40	50

- UPPER AND LOWER SHAFTS: 416 SS
- BODY COATING: EPOXY
- DISC ENCAPSULATION MTL: SBR

SIZE	2-1/2"	3"	4"	6"	8"
A	4.2	4.4	5.3	7.5	9.5
B	1.81	1.81	2.05	2.21	2.4
C	4.2	4.5	5.6	7.2	8.2
D	7.0	7.5	9.6	12.4	14.3
HdWhl	5.4	5.6	6.7	8.4	17.6
E	1.7	2.4	3.3	5.6	7.5
F	0.4	0.6	0.9	1.9	2.7
O.A.Ht.	10.3	10.8	12.9	15.7	17.6
Wt.	20	20	25	34	44

Note:

Dimensions B, D, and E are referenced in Installation Instructions. This is to avoid installation damage to disc and gaskets.

"E" will be MINIMUM allowed pipe I.D.

Exercise care handling and during installation



BUTTERFLY VALVE - G300/G300E/01G/01W/02G SUPPLEMENTARY INSTALLATION INSTRUCTIONS

Information shown here is intended to supplement, not replace, instructions that is shipped with each valve.

Dimensional information regarding minimum pipe I.D. and disc protrusion are shown on dimensional page for particular valve.

Exercise care handling and during assembly.

This Model Grooved Body DISCONTINUED 2008

For use with cut grooves in steel pipe schedule 40 to 80

See valve dimensional information for min. pipe I.D. (dimension E)

Valves shall be installed by person(s) certified to install grooved end fittings in a fire protection system by authority having jurisdiction.

- 1) Place gasket over pipe or fitting to which valve will be joined.
- 2) Position valve against mating pipe/fitting.
- 3) Slide gasket into position on valve and adjacent pipe/fitting and install coupling according to coupling manufacturer's instructions.

Wafer Body

For installation between two ANSI B16.1, 125 lb. flanges pipe schedule 10 to 80

See valve dimensional information for min. pipe I.D. (dimension E)

- 1) Two flanged mating pieces should be placed at a distance apart that is slightly more than the thickness of the body (dim.B on wafer table)
- 2) A minimum of 2 studs shall be placed through adjacent flange holes so that the lower trunnion of the valve can fit between them. Normally this is the bottom 2 holes if the valve will be vertical with open/closed indicator on top.
- 3) Place the valve between the flanges-take care not to disturb the body gaskets.
- 4) Place remaining studs around the valve and tighten using an alternating pattern until desired torque is reached.

Switch Wiring

- 1) Valve has internal switches that operate from the OPEN position.
- 2) One switch has dual leads that is for connection to the SUPERVISORY circuit of an alarm panel. The other switch has single leads and is intended to be connected to AUXILIARY equipment.
- 3) Unused leads can be tucked into junction box (not provided)
- 4) Always comply with national codes, local codes, and NPFA 13, 71, and 72.

