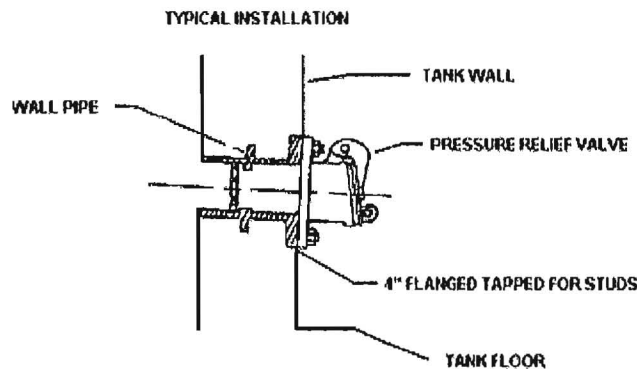


TANK RELIEF VALVES, WALL TYPE

- The A2580 Hydrostatic Wall Relief Valve is manufactured using a cast iron body and disc. The seat ring is bronze and the cover (disc) has a replaceable BUNA-N seat assembly. The flange is drilled for attachment to a wall pipe drilled and tapped for a 125 ANSI drill pattern. The valve must be mounted with the flange holes straddling the vertical centerline. The A2580 model is available in both 4" and 6" diameters.



- The valve shall be manufactured using a cast iron body and disc. The seat shall be bronze and the replaceable cover seat shall be BUNA-N. The valve shall be the model A2580 or an approved equal. The diameter of the valve shall be 4" or 6".

Troy Valve.....simply the best.

TROY VALVE

A Division of Penn-Troy Manufacturing Inc.

Toll Free: (800) 232-4442 ■ sales@troyvalve.com

650 Railroad Street, Troy, PA 16947 ■ Ph: (570) 297-4442 Fax: (570) 297-4136