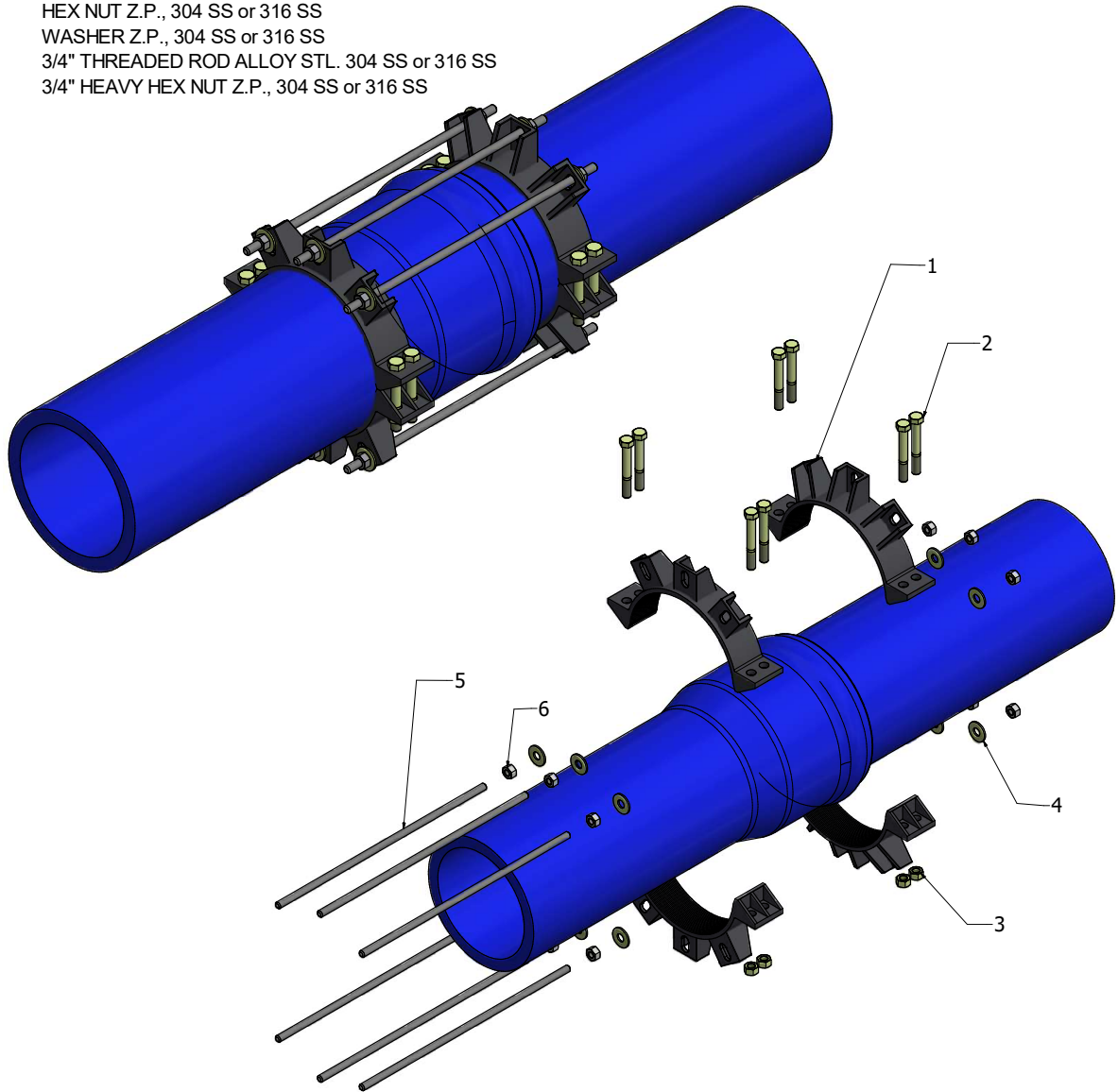


RESTRAINER

EPOXY COATED FOR PVC PIPE
WITH DUCTILE IRON O.D.

REF#	DESCRIPTION
1	300C RESTRAINER HALF D.I. A-536 Gr. 65-45-12
2	HEX HEAD BOLT GRADE A424 Z.P., 304 SS or 316 SS
3	HEX NUT Z.P., 304 SS or 316 SS
4	WASHER Z.P., 304 SS or 316 SS
5	3/4" THREADED ROD ALLOY STL. 304 SS or 316 SS
6	3/4" HEAVY HEX NUT Z.P., 304 SS or 316 SS



NOM. PIPE SIZE	SHIPPING WT.	390C CLAMPING BOLTS	390C CLAMPING BOLT TORQUE	RESTRAINING RODS
14"		8 @ 7/8" x 6 1/2"	150 FT LBS	6 @ 3/4"x30"
16"		8 @ 7/8" x 6 1/2"	150 FT LBS	6 @ 3/4"x30"
18"		8 @ 1" x 7"	175 FT LBS	6 @ 3/4"x30"
20"		8 @ 1" x 8"	200 FT LBS	8 @ 3/4" x 36" ROD
24"		8 @ 1 1/8" x 8 1/2"	225 FT LBS	12 @ 3/4" x 36" ROD

