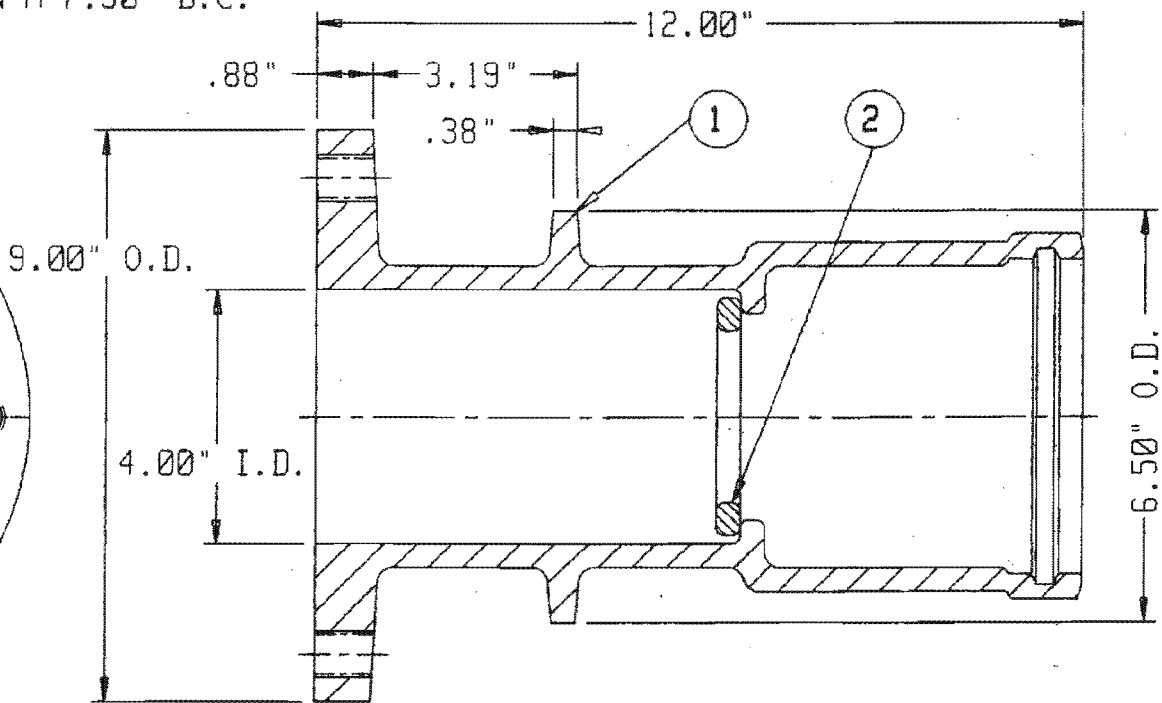
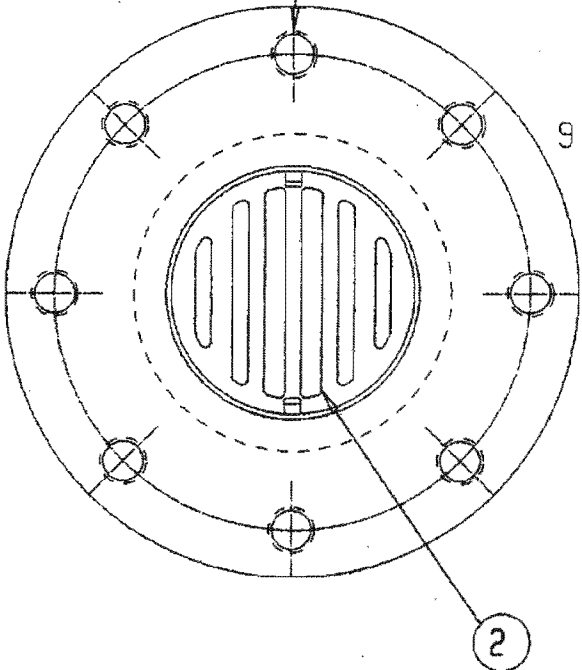


Parts List

Item	Description	Required	Material
1	Wall Thimble	1	Cast Iron A126B
2	Grating	1	Cast Iron A126B

5/8"-11UNC TAP THRU,  
LOCATED ON A 7.50" B.C.  
(8) REQ'D



Can be extended to any length by using C900 P.V.C.

MATERIAL:	<b>4" WALL THIMBLE WITH REMOVABLE GRATE</b>
DATE:	
<b>TROY VALVE</b> Troy, PA	NO. <b>191001</b>