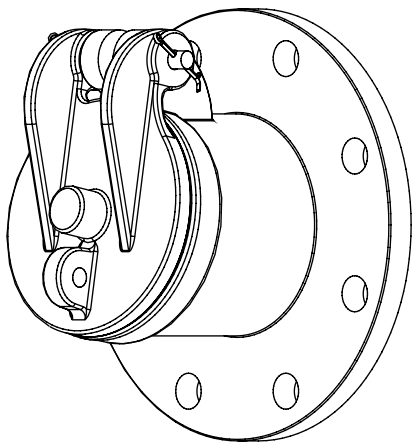
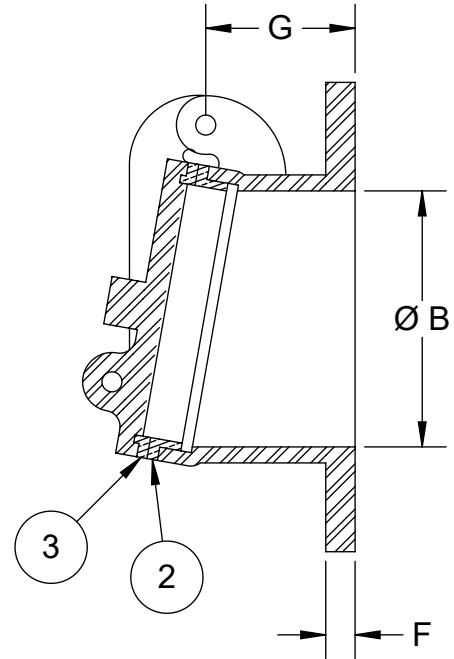
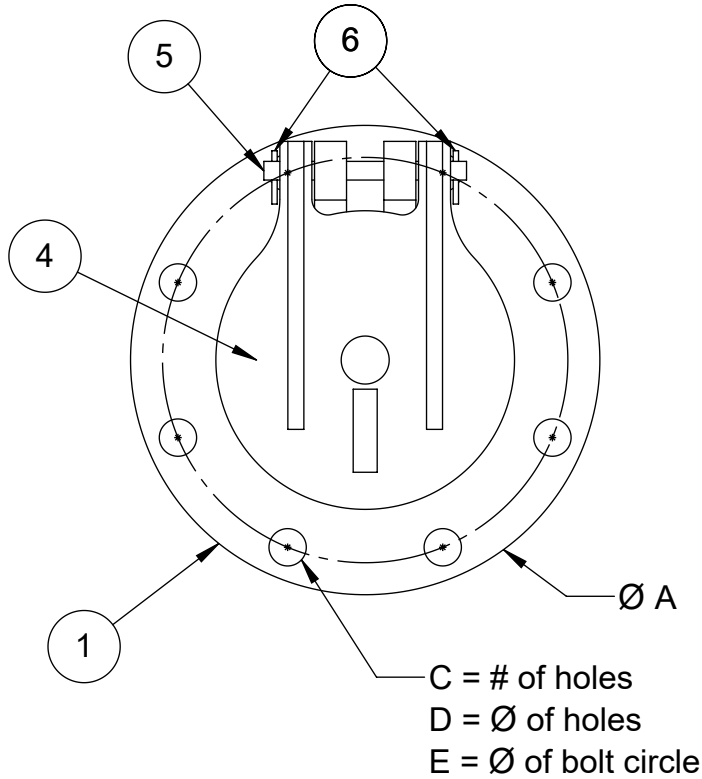


| DIMENSIONS ARE IN INCHES | | | | | | |
|--------------------------|-------|-------|-------|--------|--------|-------|
| SIZE | 3 | 4 | 6 | 8 | 10 | 12 |
| A | 9 | 9 | 11 | 13 1/2 | 16 | 19 |
| B | 4 | 4 | 6 | 8 | 10 | 12 |
| C | 4 | 8 | 8 | 8 | 12 | 12 |
| D | 3/4 | 3/4 | 7/8 | 7/8 | 1 | 1 |
| E | 6 | 7 1/2 | 9 1/2 | 11 3/4 | 14 1/4 | 17 |
| F | 5/8 | 5/8 | 11/16 | 3/4 | 13/16 | 7/8 |
| G | 3 1/4 | 3 1/4 | 3 1/2 | 4 | 4 1/2 | 4 1/2 |

| Item | Description | QTY. | MAT'L |
|------|-------------|------|---------|
| 1 | Body | 1 | CI-A126 |
| 2 | Seat Ring | 1 | BRZ-B62 |
| 3 | Disc Ring | 1 | BRZ-B62 |
| 4 | Disc | 1 | CI-A126 |
| 5 | Hinge Pin | 1 | 304SS |
| 6 | Cotter Pin | 2 | 18-8SS |



Notes:

- 125# ANSI flange
- Two Part Epoxy Coating
- 3" Flap Valve is prepared for both 3" and 4" 125# ANSI flange mounting pattern
- 10° Offset from verticle