

PATT OR DIE No.

FINISH

UNLESS OTHERWISE SPECIFIED

DECIMAL
DIM'S IN 2 PLACES + or - .02
DIM'S IN 3 PLACES + or - .01

FRACTION
DIM'S UNDER 6" + or -
DIM'S OVER 6" + or -

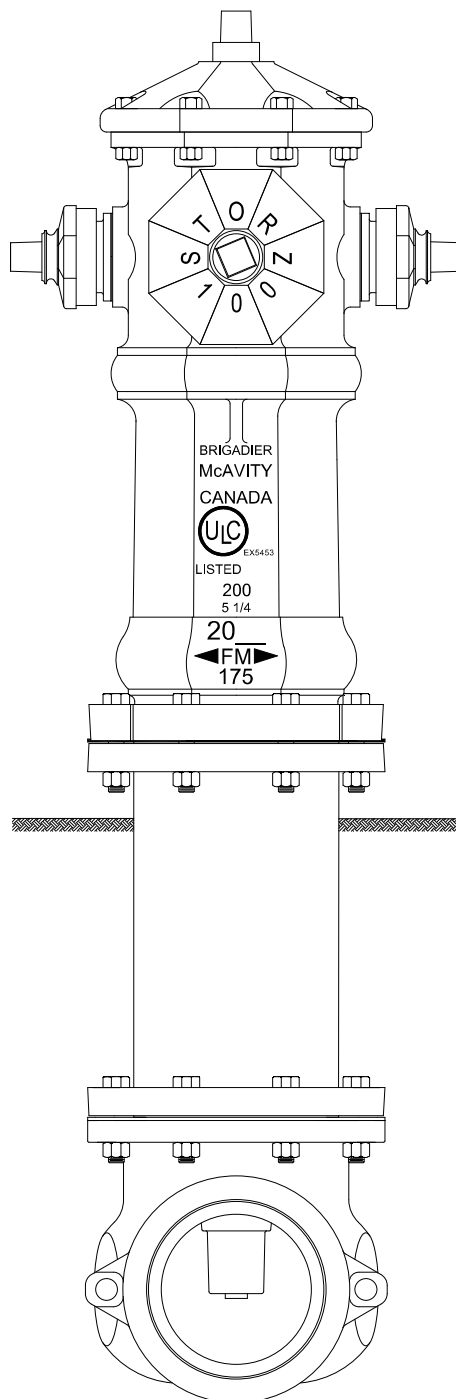
LETTER CHANGE

MATERIAL

WEIGHT

REV A: April 2024
Changed ULC
location &
pressure rating,
added file#.
G.S.

REF. Nos.



DRAWN

L.G. McKAY

CHECKED

EXAMINED

NOTED

APPROVED

M67B HERITAGE 2 HOSE STORZ
PUMPER WITH 6" PUSH-ON ELBOW

CLOW CANADA

M67B - 029

SCALE

NOT TO SCALE

DATE

SEPT. / 2010